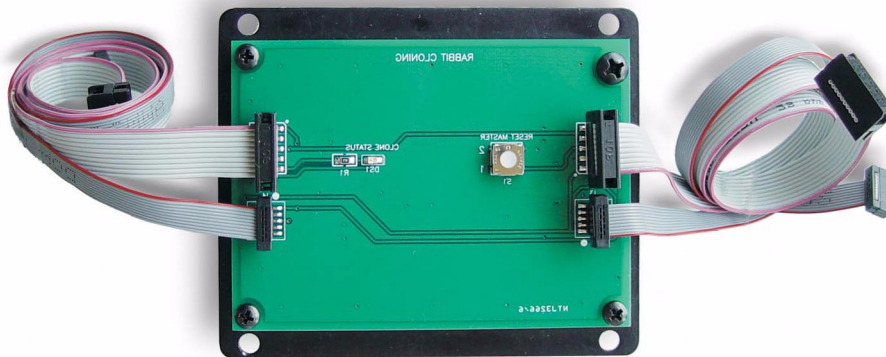


TN207

Rabbit Cloning Board



Introduction

The Rabbit Cloning Board copies designated portions of flash memory from one Rabbit-based controller (the master) to another (the clone). Dynamic C version 6.50 or later is needed to use the cloning board.

Fast cloning, where the data transfer rate is the maximum allowed by the crystal frequency, was introduced in Dynamic C version 7.05. Other options were added to be used with fast cloning. In fast cloning, the size of the program to be cloned was limited by the size of the RAM, and programs that spanned two flash devices could not be cloned. The options used with fast cloning were in the Dynamic C library `LIB\BIOSLIB\fastclone.lib`.

The restrictions on fast cloning have been removed starting with Dynamic C 7.20; fast cloning is the only implementation available or needed. Dynamic C 7.20 makes available more cloning options; the options can be set using the cloning configuration macros near the top of `BIOS\RABBITBIOS.C` or in `Lib\BIOSLIB\cloneconfig.lib`, depending on your version of Dynamic C. With later versions of Dynamic C you can use the “Defines” tab found in the Options | Project Options dialog to define the cloning macros.

For a description of the various options, please see the section on [“Cloning Macros” on page 5](#).

Key Benefits

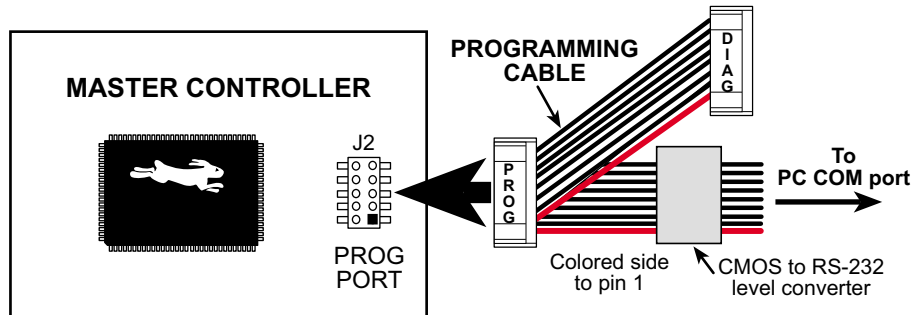
- The Rabbit Cloning Board replaces a PC or EPROM burner as the primary tool to load programs, thus reducing costs and workspace.
- Programs may be loaded quickly onto blank, soldered on flash devices.
- High-speed data transfer at 57,600 bps or 115,200 bps.
- Higher-speed data transfer of up to 921,600 bps starting with Dynamic C version 7.05.
- Ideal for low-volume cloning production.

Steps to Enable and Set Up Cloning

Before cloning begins the master controller must be readied. Follow these steps:

1. Connect the programming port of your master controller to a PC running Dynamic C (see [Figure 1](#)). Use the programming cable that came with the controller and follow the instructions in the controller user's manual.

Figure 1. Enable Cloning on Master Controller



2. Apply power to the controller.
3. For older versions of Dynamic C¹, open the BIOS file: BIOS\RABBITBIOS.C.
4. Change the line

```
#define ENABLE_CLONING 0 // set to 1 to enable cloning
```

to

```
#define ENABLE_CLONING 1 // set to 1 to enable cloning
```

NOTE: Various options are enabled by the macros described in “Cloning Macros” on page 5.

These macros are found in the BIOS or the configuration library and any change to their values must be made as part of Step 4.

5. Save the change(s) to RABBITBIOS.C and close the file.
6. Open the application program to compile to the master controller.
7. Click on the **Compile to Target** item in the **Compile** menu.
8. Remove power from the controller and disconnect the programming cable from the controller's programming port.

NOTE: If ENABLE_FAST_CLONING (available in Dynamic C versions 7.05 to 7.10 only) was set to 1 in the BIOS as part of step 4, other fast cloning options are available in LIB\BIOSLIB\fastclone.lib. These macros are functionally the same as the macros of similar name that begin with “CL” instead of “FC” that are described in “Cloning Macros” on page 5. The associated macros are:

- FC_ASSUME_SAME_CRYSTAL
- FC_CHECKSUM_ENABLED
- FC_DOUBLE_CLONE_CLOCK
- FC_RUN_AFTER_COPYING

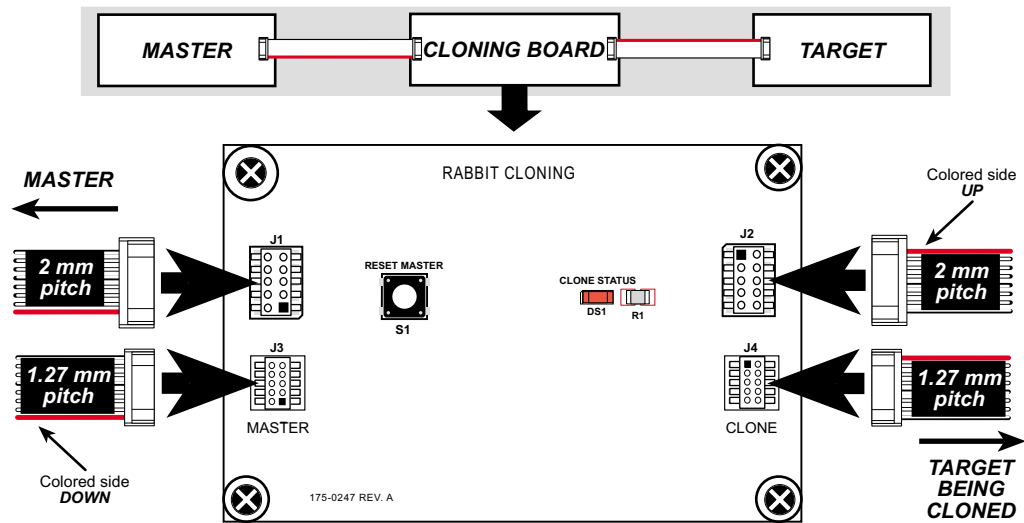
1. For newer versions of Dynamic C use the “Defines” tab on the Options | Project Options dialog to define cloning macros.

Steps to Perform Cloning

The Rabbit Cloning Board comes with 1.27 mm and 2 mm cables to accommodate whichever size of the programming connector that is on your Rabbit-based board.

1. Use one of the 1.27 mm or 2 mm cables to connect the **MASTER** header (J3 or J1, depending on the cable used) on the Cloning Board to the programming port of your master controller. Make sure that the colored side of the cable goes to pin 1 of the header as shown in [Figure 2](#).

Figure 2. Cloning Cable Connections to the Rabbit Cloning Board



2. Use the other cable to connect the **CLONE** header (J4 or J2) on the Cloning Board to the programming port of the target controller. Make sure that the colored side of the cable goes to pin 1 of the header as shown in [Figure 2](#).
3. Apply power to both the master and the target.
4. Press the **RESET MASTER** button on the Rabbit Cloning Board to initiate cloning. The master begins sending the designated portion of the primary flash to the clone.

The following table describes the LED patterns that may occur on the Cloning Board.

Table 1. LED Patterns on Cloning Board

Dynamic C Version	Cloning Status		
	Cloning is active	Cloning successfully completed	Error occurred
Up thru 7.06	LED blinks several times per second.	LED will blink quickly in a distinctive pattern of four flashes, then pause, then four more flashes...	LED stops blinking.
7.05 thru 7.10 in fast cloning mode	LED is off.	LED is on.	LED starts blinking.
Starting with 7.20	LED toggles on and off about once per second.	LED stays on.	LED starts blinking.

If an error occurs press the **RESET MASTER** button on the Cloning Board to try again.

Remove power from the target controller and unplug the cloning cable from its programming port. The master controller is now available to program the next target.

Technical Description

Figure 3 shows the Rabbit Cloning Board circuit and Figure 4 shows the programming port on a Rabbit based product. The Rabbit Cloning Board works with both Rabbit 2000-based and 3000-based systems.

Figure 3. Rabbit Cloning Board Circuit

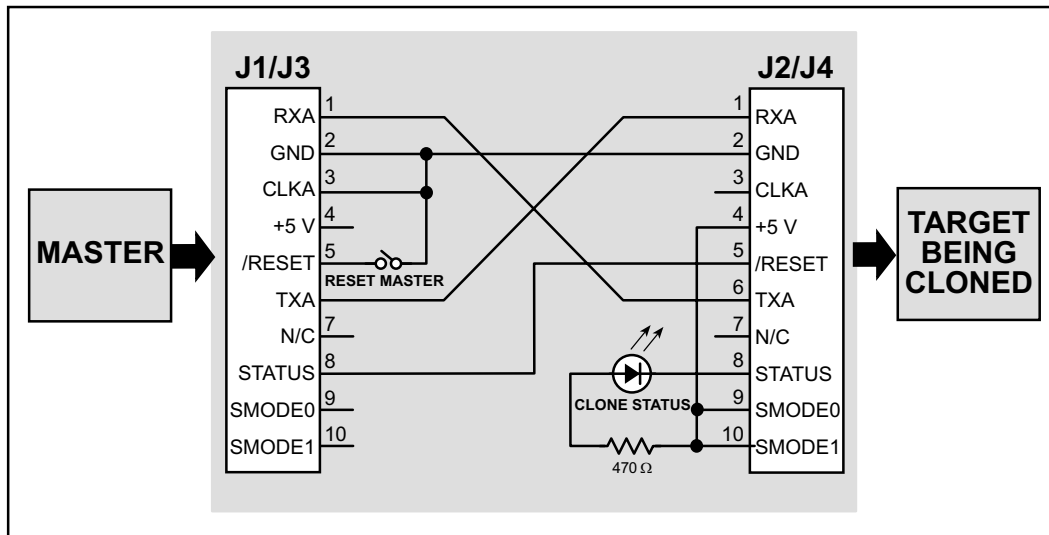
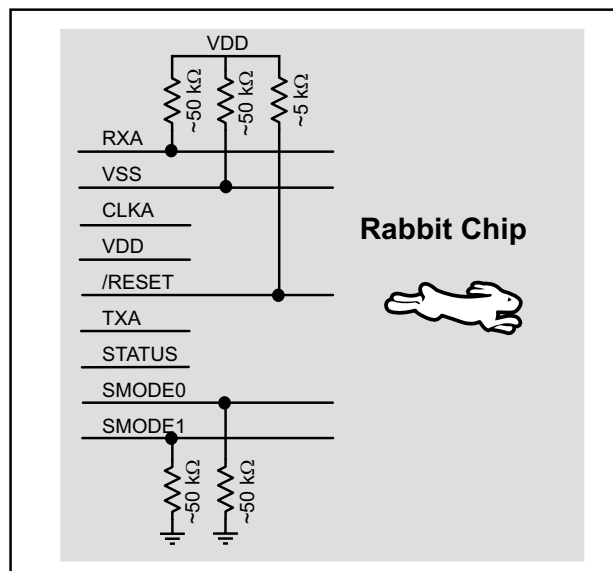


Figure 4. Rabbit Programming Port



The master controller detects a connected Cloning Board when the signal CLKA is held low. This is detected in the BIOS when the reset ends and the cloning support of the BIOS is invoked. The cloning program cold-boots the target system by resetting it and downloading a primary boot program.

On some Rabbit core modules, such as the RCM4200, the PB1 (CLKA) signal is either not available or not pulled up on the programming port, the master can be forced to invoke cloning support by setting `CL_FORCE_MASTER_MODE` to 1. This will cause the BIOS to assume a cloning cable is attached on every startup, assuring that only the cloning code will run.

While compiling to the target with `CL_FORCE_MASTER_MODE` set to 1, the loss of target communication is expected and unavoidable. After the program has loaded and target communication is lost the clone master will still correctly perform its cloning function after a cloning cable is attached.

Since the BIOS supports a variety of flash types, the flash EPROM on the two controllers do not have to be identical. Cloning works between master and target controllers that have different-sized flash chips because the master copies its own universal flash driver to the target. The flash driver determines the particulars of the flash chip on which it is running.

The master controller's BIOS must allocate a memory buffer sufficiently large to work on the target. Prior to Dynamic C version 7.02, the cloning software used root memory for this buffer, which reduces the root memory available to the application program. The size of the buffer is given by the macro `MAX_FLASH_SECTORSIZE`. This macro is defined near the top of the `LIB\BIOSLIB\FLASHWR.LIB` file. The default value is 1024 (4096 in older versions). The user can reduce this buffer size to the maximum of the master and target's sector sizes if root data space is a problem, or increase it to 4096 if needed.

Starting with Dynamic C version 7.02, the cloning implementation uses `xmem` for the buffer, so root data space will not be a problem; and no changes should be made to `FLASHWR.LIB`.

Cloning Macros

The following macros are in the source code of the BIOS (`BIOS\RABBITBIOS.C`) or in `Lib\BIOSLIB\cloneconfig.lib`, depending on the version of Dynamic C. The default values may be changed there. In later versions of Dynamic C you can change the defaults by defining the macros in the "Defines" tab located in the Options | Project Options dialog. If a particular macro is not defined in the BIOS file or the configuration library, then the associated option is not available in the version of Dynamic C you are using. The exception to this are the fast cloning options enabled by the `FC_*` macros in `fastclone.lib`.

ENABLE_CLONING

Default is 0: cloning is not enabled. Set to 1 to enable cloning. The cloning implementation in Dynamic C version 7.10 requires that `ENABLE_FAST_CLONING` and `ENABLE_CLONING` be set to 1 to enable cloning.

If PB1 is either not available or not pulled in the design, `CL_FORCE_MASTER_MODE` should be set to 1 to force the board to assume that a cloning cable is always attached.

CLONE_WHOLE_FLASH

Default is 0: only compiled program will be copied. Set to 1 to copy entire flash device, which excludes the system ID block unless `CL_INCLUDE_ID_BLOCKS` is set to 1 also. Excludes secondary flash device, but if the program being cloned extends into the second flash, it will be copied regardless of this setting.

CL_ASSUME_SAME_CRYSTAL

Default is 0: does not assume crystal speed is the same on master and clone. Set to 1 to assume same crystal speed on the master and clone, which saves code space for the crystal speed measurement and autobauding.

Autobauding works by setting the clone and master to the highest baud rate possible, and lowering the master's baud rate until they match. This MUST be set to 0 if the clone's crystal is, or might be, slower than the master's.

CL_CHECKSUM_ENABLED

Default is 0: do Internet checksum for cloning. Leaving this as 0 will save some code size and a little time. Uses RFC 1071 method.

CL_COPY_2NDFLASH

Default is 0: second flash is not cloned. Set to 1 to clone second flash. The second flash is cloned in addition to the designated area of the primary flash.

This is separate from `USE_2NDFLASH_CODE` so that files in the secondary flash can be copied too if desired. This will cause the whole second flash to be copied unconditionally even if the program doesn't use two flashes.

CL_DOUBLE_CLONE_CLOCK

Default is 0: If the cloned board has or might have a crystal speed more than 12.9MHz, this MUST be set to 0. This macro is independent of the `CLOCK_DOUBLED` macro. It only applies clock doubling WHILE cloning.

CL_FORCE_MASTER_MODE

Default is 0: Master will detect the presence of a cloning cable and only invoke cloning support when a cable is attached. Set to 1 to force the BIOS to assume that a cloning cable is always attached and to always enter cloning mode on startup. When this macro is set to 1, the `STERILE_CLONES` macro will be forced to 1 as well.

CL_INCLUDE_ID_BLOCKS

Default is 0: System ID and User block areas are not copied during cloning. Set to 1 to copy System ID and User block areas. Setting this to 1 will cause the ID blocks to be copied unconditionally.

CL_RUN_AFTER_COPYING

Default is 1: program on clone will run after cloning completes. Set to 0 to not run the program.

INITIAL_SLV_BAUD_DIV

Default is 0. If the clone is faster than, or might be faster than, the master, increase this macro to the value needed to achieve the fastest common baud rate that works on both boards. Zero will always work when the clone crystal speed is equal to the master crystal speed. (This is the value that goes in the divisor register, the actual divisor is this plus 1.)

The divisor register value is determined as follows:

$$\text{Divisor Register Value} = \frac{(\text{Crystal Frequency (in Hz)})}{32 \times \text{baud rate}} - 1$$

For achievable baud rates, this should be within 4% of an integral value. The maximum baud rate is the crystal frequency (in Hz) divided by 32. Note that if `CL_DOUBLE_CLONE_CLOCK = 1`, the crystal frequency is doubled in the above calculation.

STERILE_CLONES

Default is 0: cloned boards will check for the presence of a cloning cable. Set to 1 to cause cloned boards to bypass the check for the cloning cable, thereby disabling cloning of clones.

In some core modules the default is 1 and cannot be changed, thus making all clones sterile. A compiler error is generated if an attempt is made to define this macro to “0” on a core module that does not support non-sterile clones.

CLONINGBAUDRATE (Dynamic C versions prior to version 7.20 only)

Default is 1: baud rate is 115,200 bps. Set to 0 to use 57,600 bps. This macro is not applicable when `ENABLE_FAST_CLONING` is set to 1.

All controllers sold by Rabbit Semiconductor with the Rabbit 2000™ or the Rabbit 3000™ chip support cloning at 115,200 bps. If you have a custom designed Rabbit-based controller with a crystal that does not support a baud rate of 115,200 bps, change this macro to zero and the baud rate will be 57,600 bps.

ENABLE_FAST_CLONING (Dynamic C versions 7.05 to 7.10 only)

Default is 0: fast cloning is not enabled. Set to 1 to enable fast cloning.

This macro was made available to speed up the cloning process, with some restrictions. See the description of the `ENABLE_FAST_CLONING` macro near the beginning of `RABBITBIOS.C` for details.

The cloning implementation in Dynamic C version 7.20 transfers data at the fastest possible speed allowed by the crystal frequency, making the `ENABLE_FAST_CLONING` macro unnecessary.

Summary

The Rabbit Cloning Board is an easy-to-use, inexpensive solution for low production cloning. It is fast, flexible and reliable.