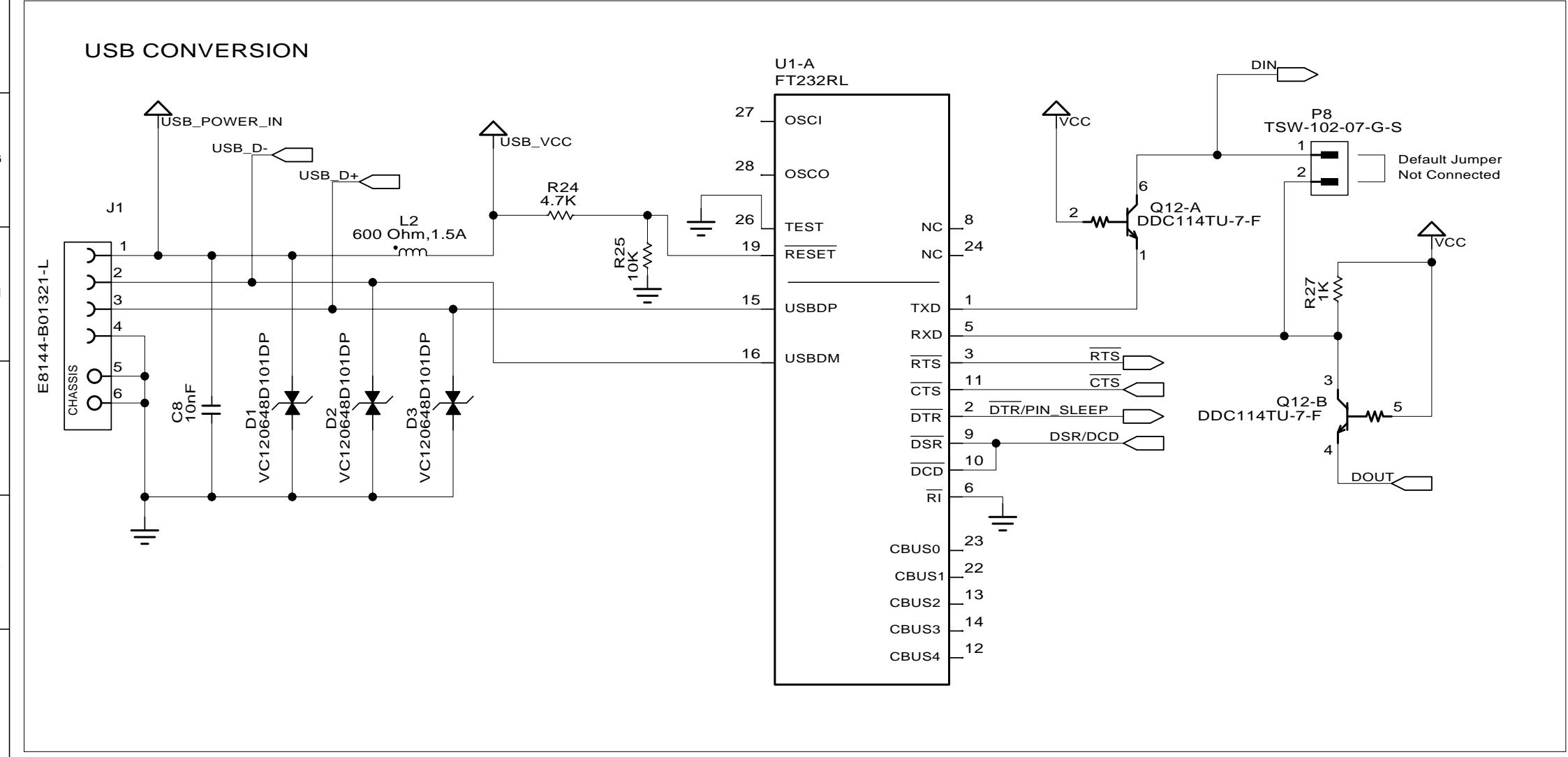
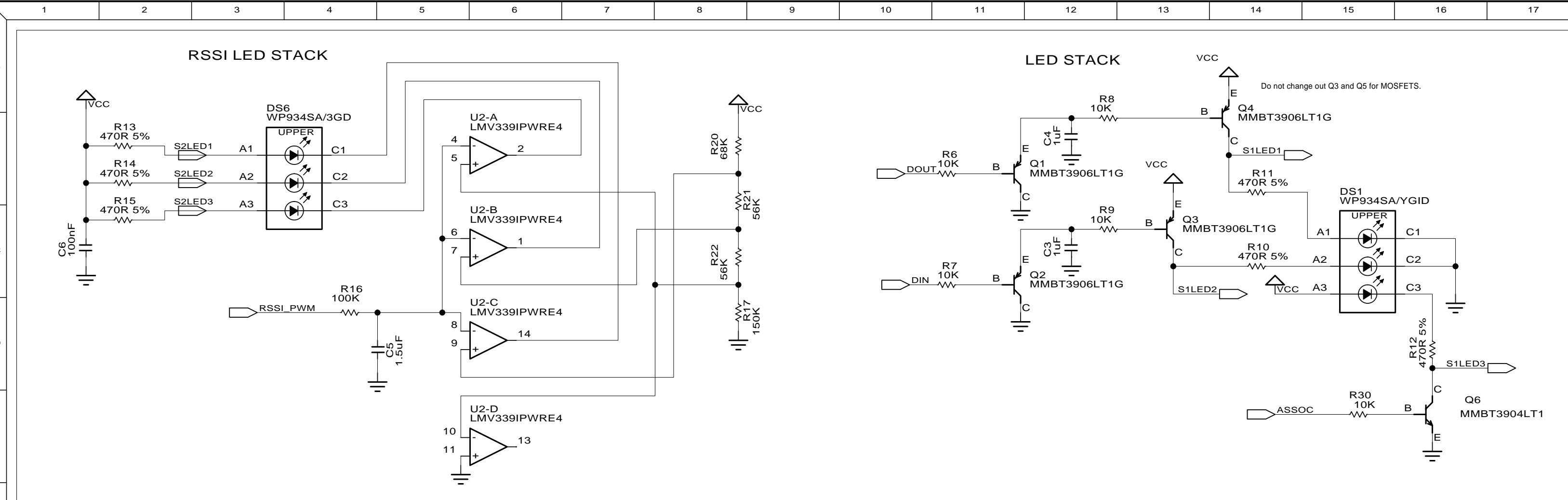


REV	ECO	DESCRIPTION OF CHANGE	BY	CKD	APPR	DATE

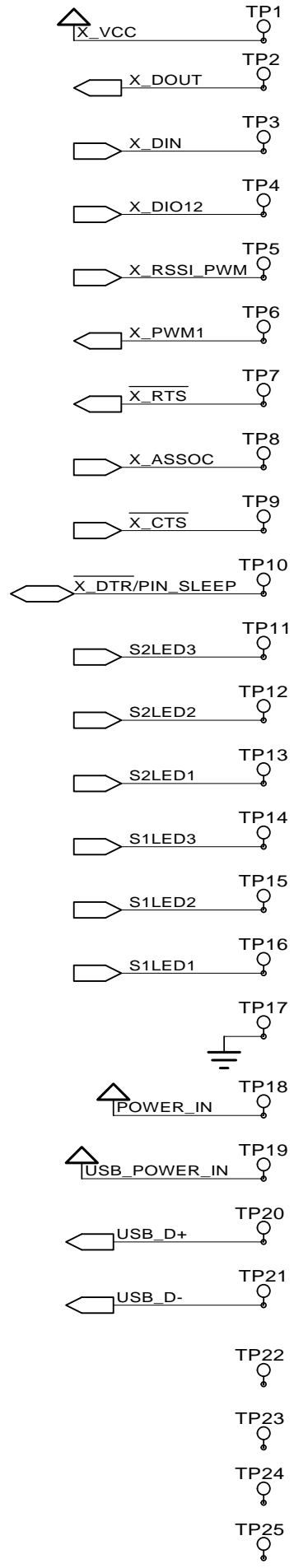
  

APPROVALS:	DATE:	<b>TITLE</b> <b>XBee Interface Board</b> <b>XBIB-U-DEV</b> <b>TH/SMT Hybrid</b>
DESIGNED:	xx/xx/xx	
DRAWN:	xx/xx/xx	
CHECKED:	xx/xx/xx	
ENGINEER:	xx/xx/xx	
© Digi International Inc. All rights reserved.		<b>PART NO.</b> <b>55001551-02</b>
DO NOT SCALE DRAWING		<b>REV.</b> <b>B1</b>

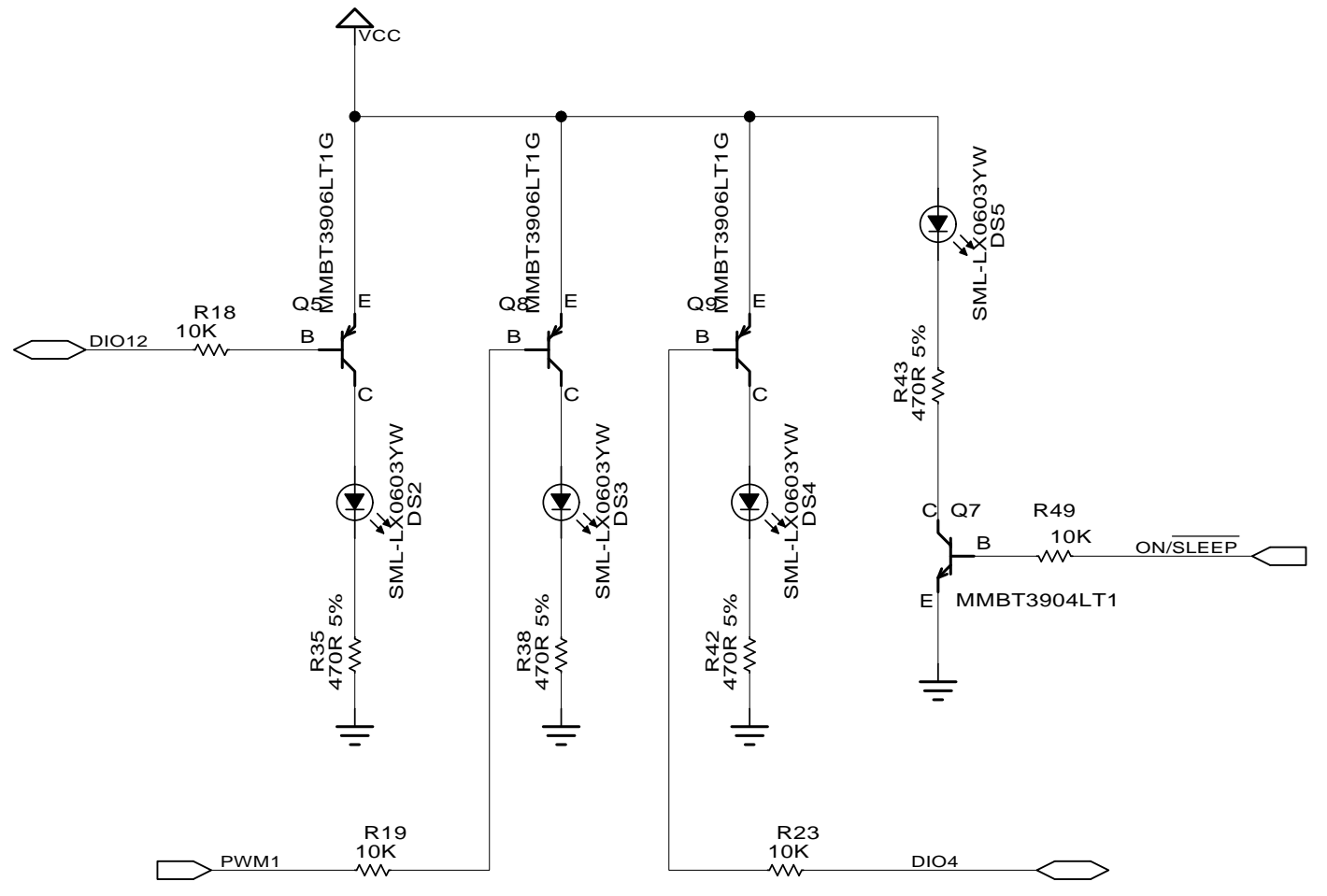


REV	ECO	DESCRIPTION OF CHANGE	BY	CKD	APPR	DATE
APPROVALS:						
DESIGNED:		DATE:	TITLE			
DRAWN:		xx/xx/xx	XBee Interface Board			
CHECKED:		xx/xx/xx	XBIB-U-DEV			
ENGINEER:		xx/xx/xx	TH/SMT Hybrid			
© Digi International Inc.		PART NO.		REV.		
All rights reserved		55001551-02		B1		
DO NOT SCALE DRAWING						SHEET 2 of 4

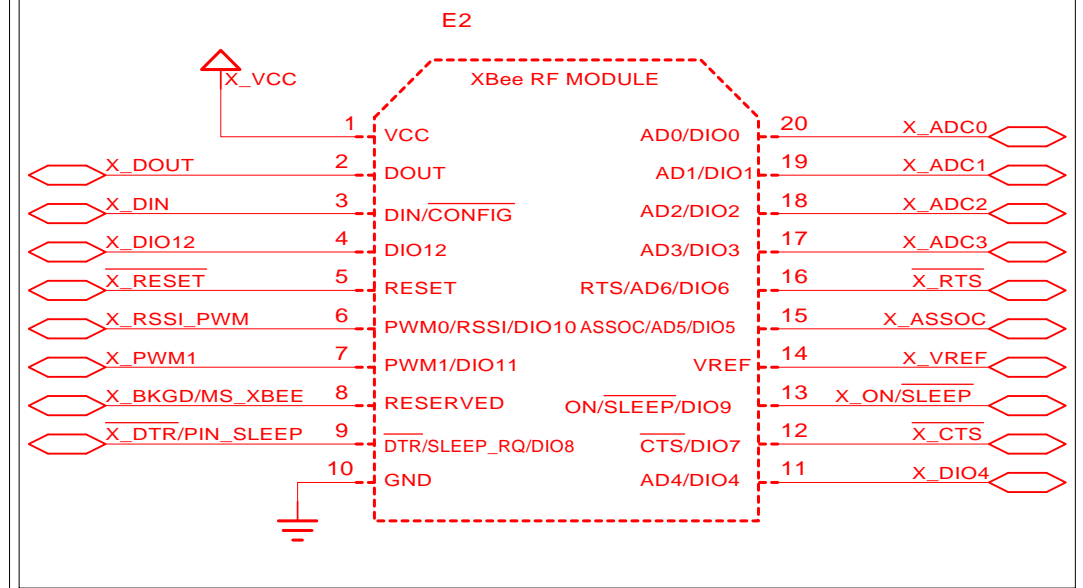
**TESTPOINTS**



**SM LEDS**

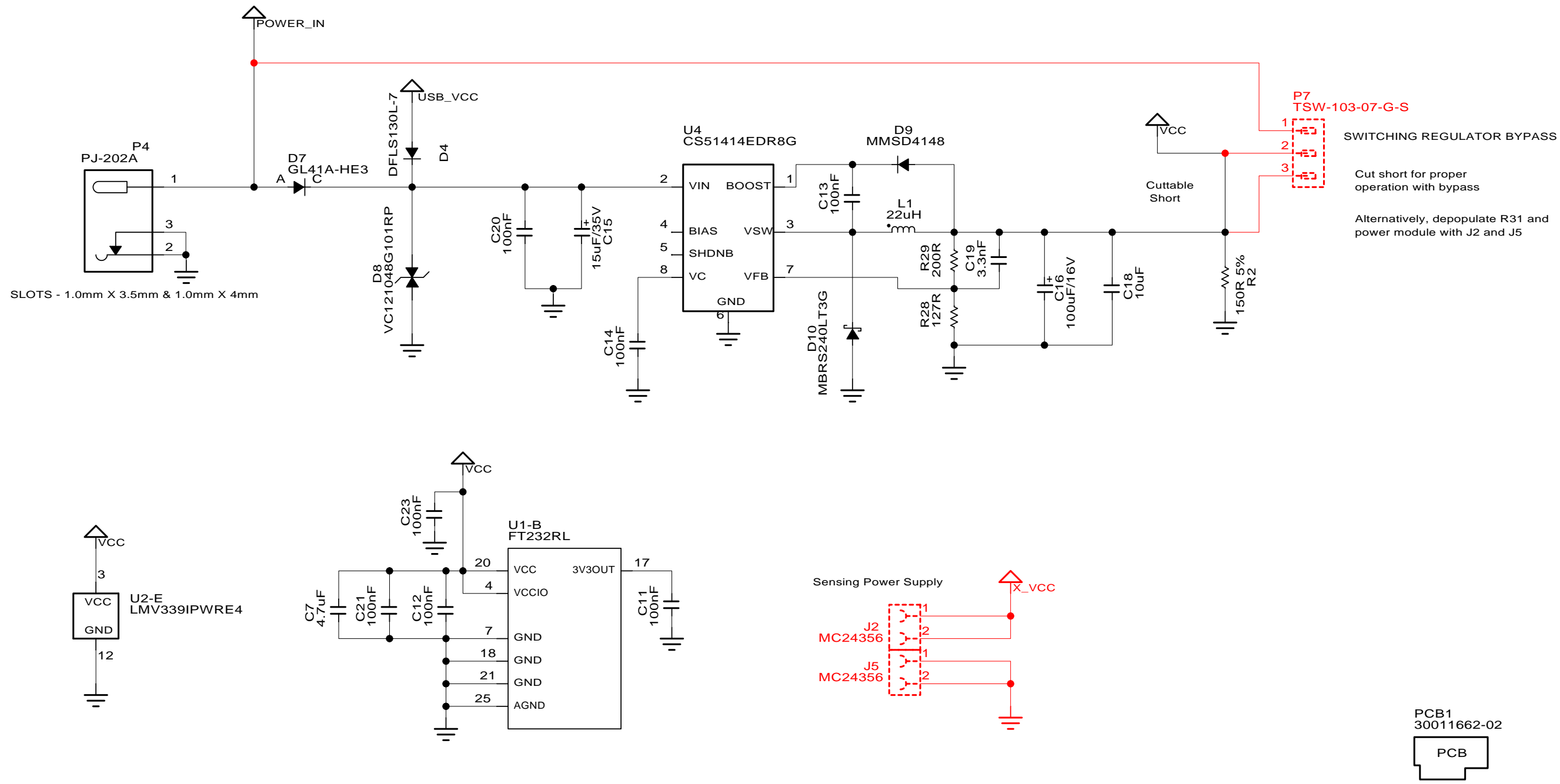


**XBEE**

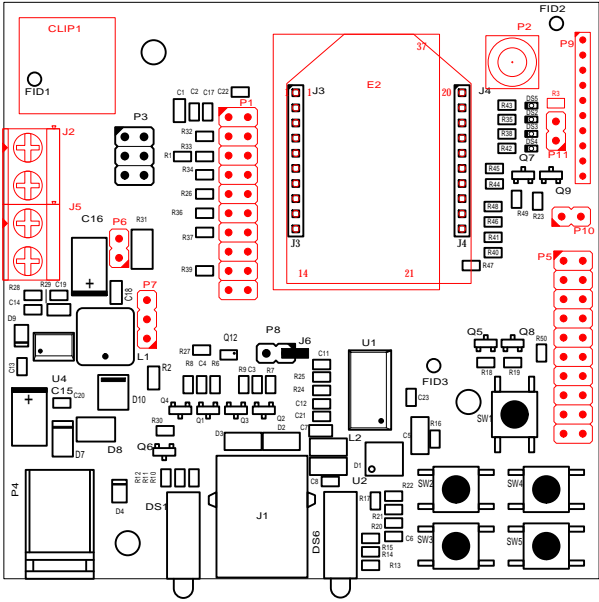


REV	ECO	DESCRIPTION OF CHANGE	BY	CKD	APPR	DATE
APPROVALS:		DATE:	<b>TITLE</b> XBee Interface Board XBIB-U-DEV TH/SMT Hybrid  <b>PART NO.</b> 55001551-02			
DESIGNED:		xx/xx/xx				
DRAWN:		xx/xx/xx				
CHECKED:		xx/xx/xx				
ENGINEER:		xx/xx/xx				
© Digi International Inc. All rights reserved						<b>REV.</b> B1
DO NOT SCALE DRAWING						SHEET 3 of 4

POWER



REV	ECO	DESCRIPTION OF CHANGE	BY	CKD	APPR	DATE
APPROVALS:		DATE:	TITLE			
DESIGNED:		xx/xx/xx	XBee Interface Board			
DRAWN:		xx/xx/xx	XBIB-U-DEV			
CHECKED:		xx/xx/xx	TH/SMT Hybrid			
ENGINEER:		xx/xx/xx	PART NO.		REV.	
			55001551-02		B1	
© Digi International Inc. All rights reserved			DO NOT SCALE DRAWING		SHEET 4 of 4	



REV	ECO	DESCRIPTION OF CHANGE	BY	CKD	APPR	DATE

APPROVALS:		DATE:	TITLE <b>Xbee Interface Board          XBIB-U-DEV          TH/SMT Hybrid</b>			
DESIGNED: DW		06/09/14				
DRAWN:						
CHECKED:						
ENGINEER:			PART NO.	REV.		
			55001551-02	B1		

**Digi International Inc.**  
All rights reserved