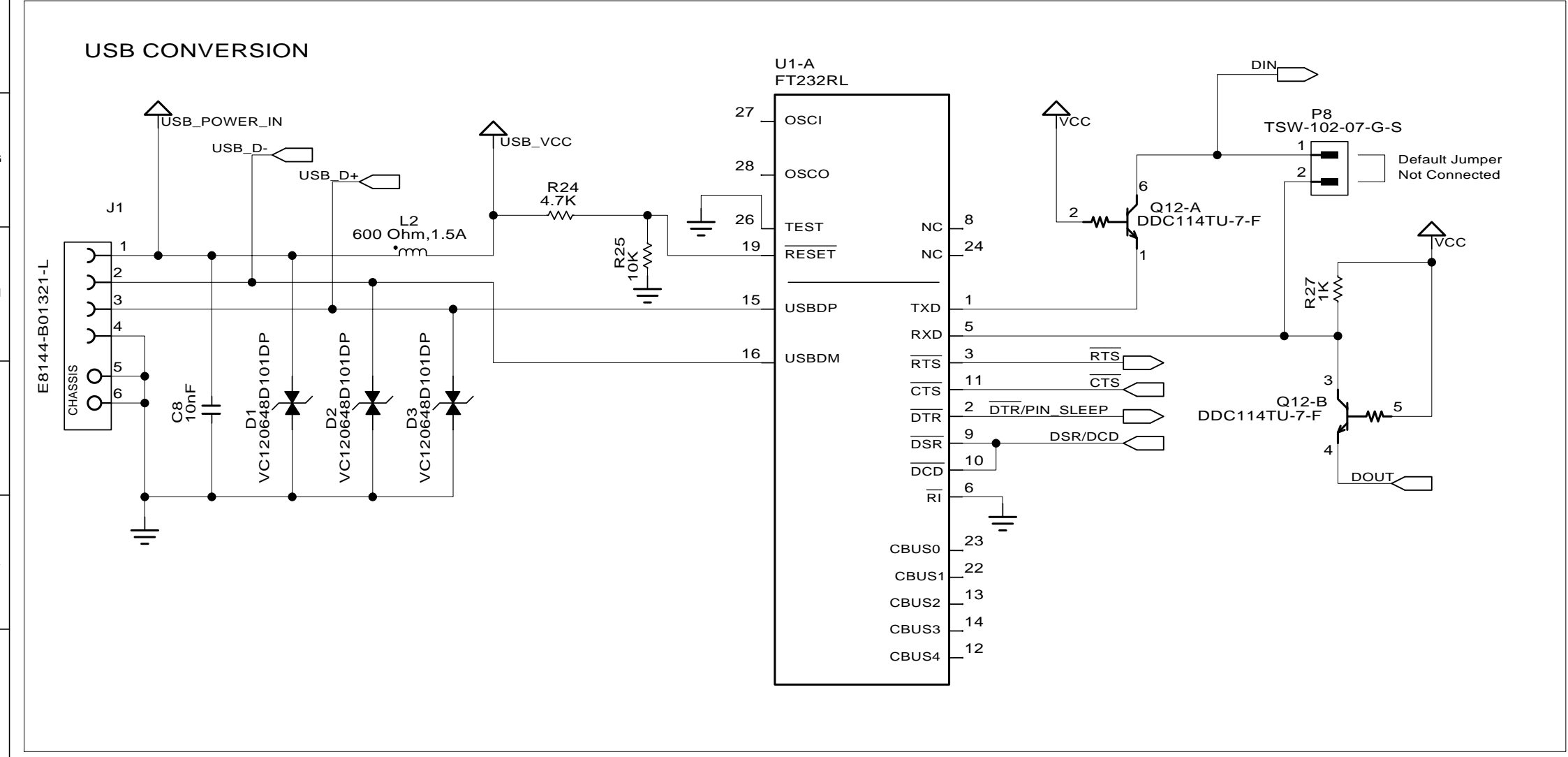
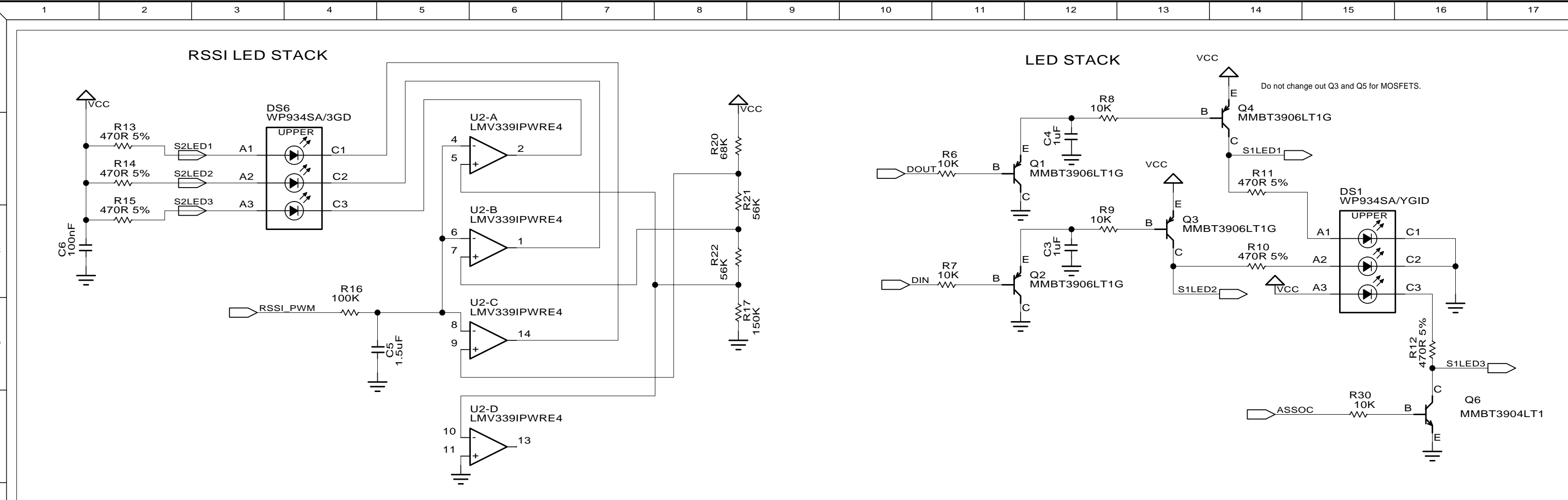
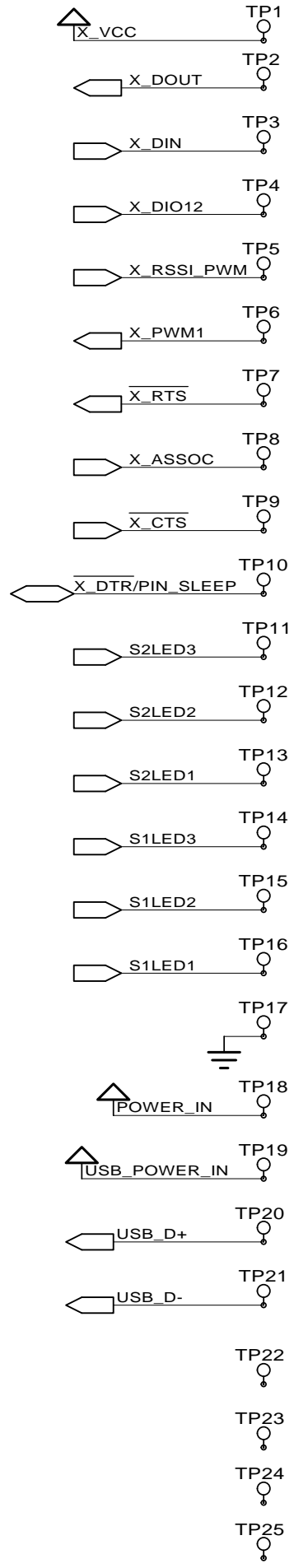


REV	ECO	DESCRIPTION OF CHANGE	BY	CKD	APPR	DATE
APPROVALS:		DATE:	TITLE			
DESIGNED:		xx/xx/xx	XBee Interface Board			
DRAWN:		xx/xx/xx	XBIB-U-DEV			
CHECKED:		xx/xx/xx	TH/SMT Hybrid			
ENGINEER:		xx/xx/xx	PART NO.		REV.	
			55001551-01		B1	
© Digi International Inc. All rights reserved.			DO NOT SCALE DRAWING		SHEET 1 of 4	

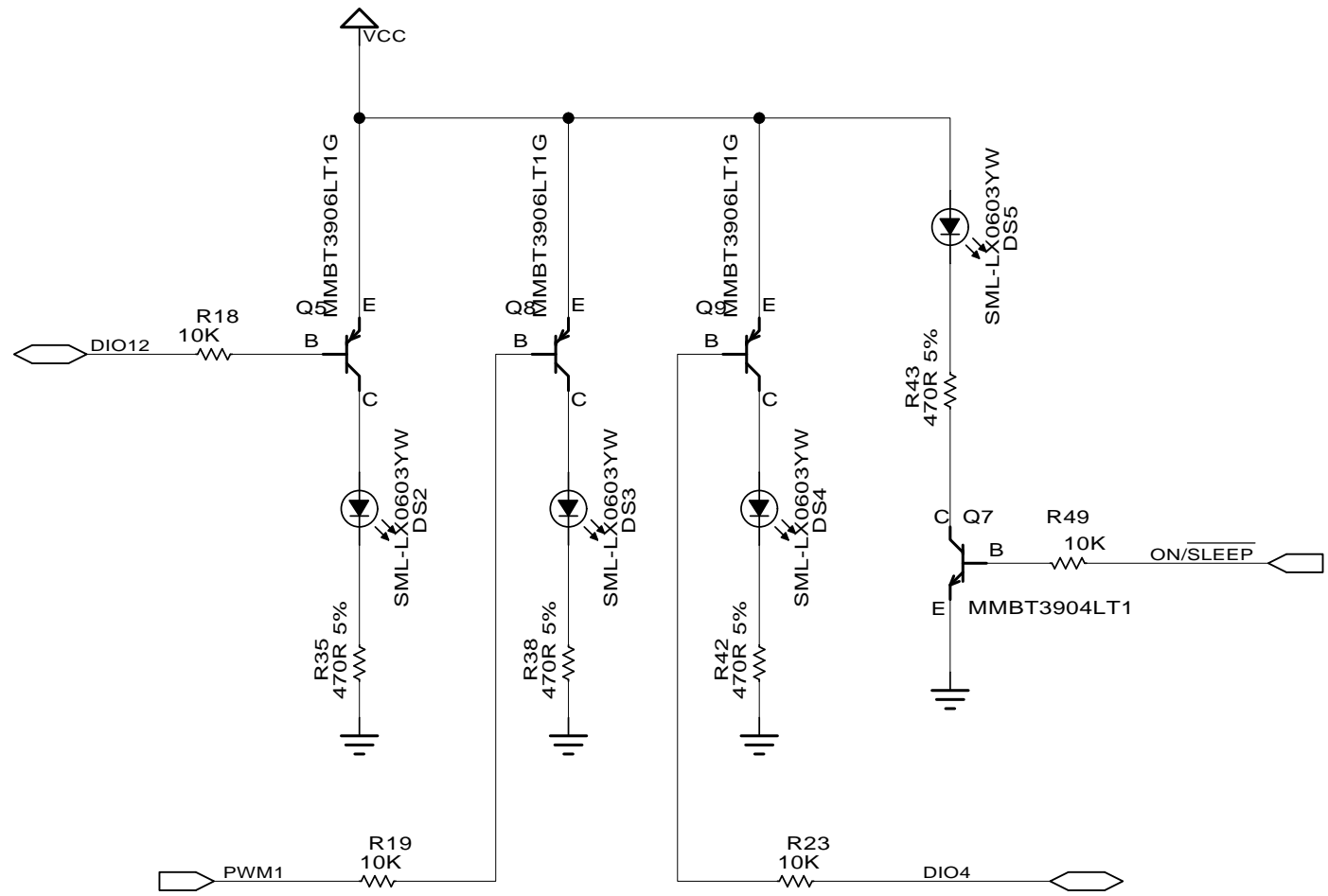


REV	ECO	DESCRIPTION OF CHANGE	BY	CKD	APPR	DATE
APPROVALS:						
DESIGNED:		DATE:	TITLE			
DRAWN:		xx/xx/xx	XBee Interface Board			
CHECKED:		xx/xx/xx	XBIB-U-DEV			
ENGINEER:		xx/xx/xx	TH/SMT Hybrid			
© Digi International Inc. All rights reserved		PART NO.		REV.		
		55001551-01		B1		
DO NOT SCALE DRAWING						SHEET 2 of 4

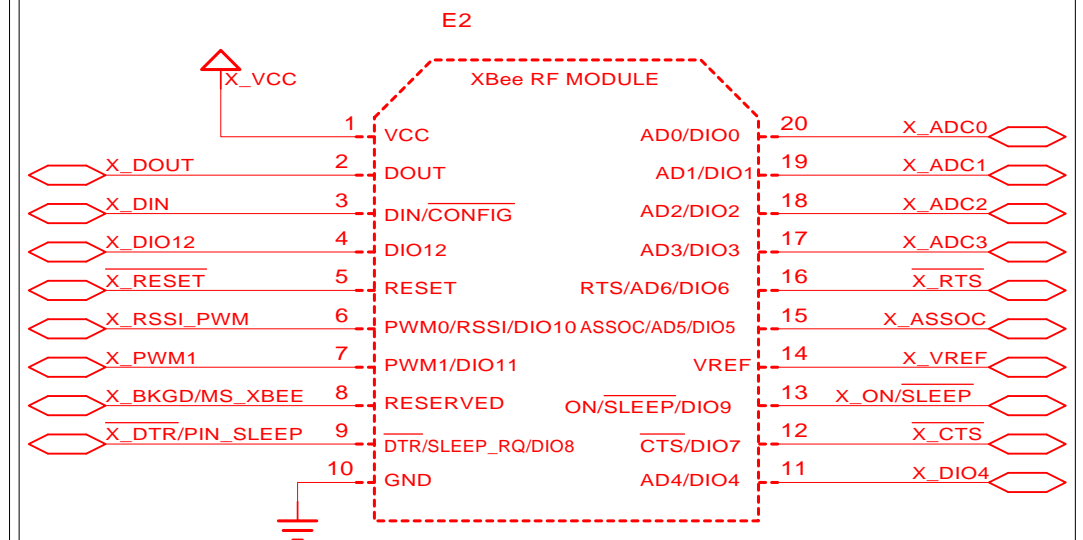
TESTPOINTS



SM LEDS

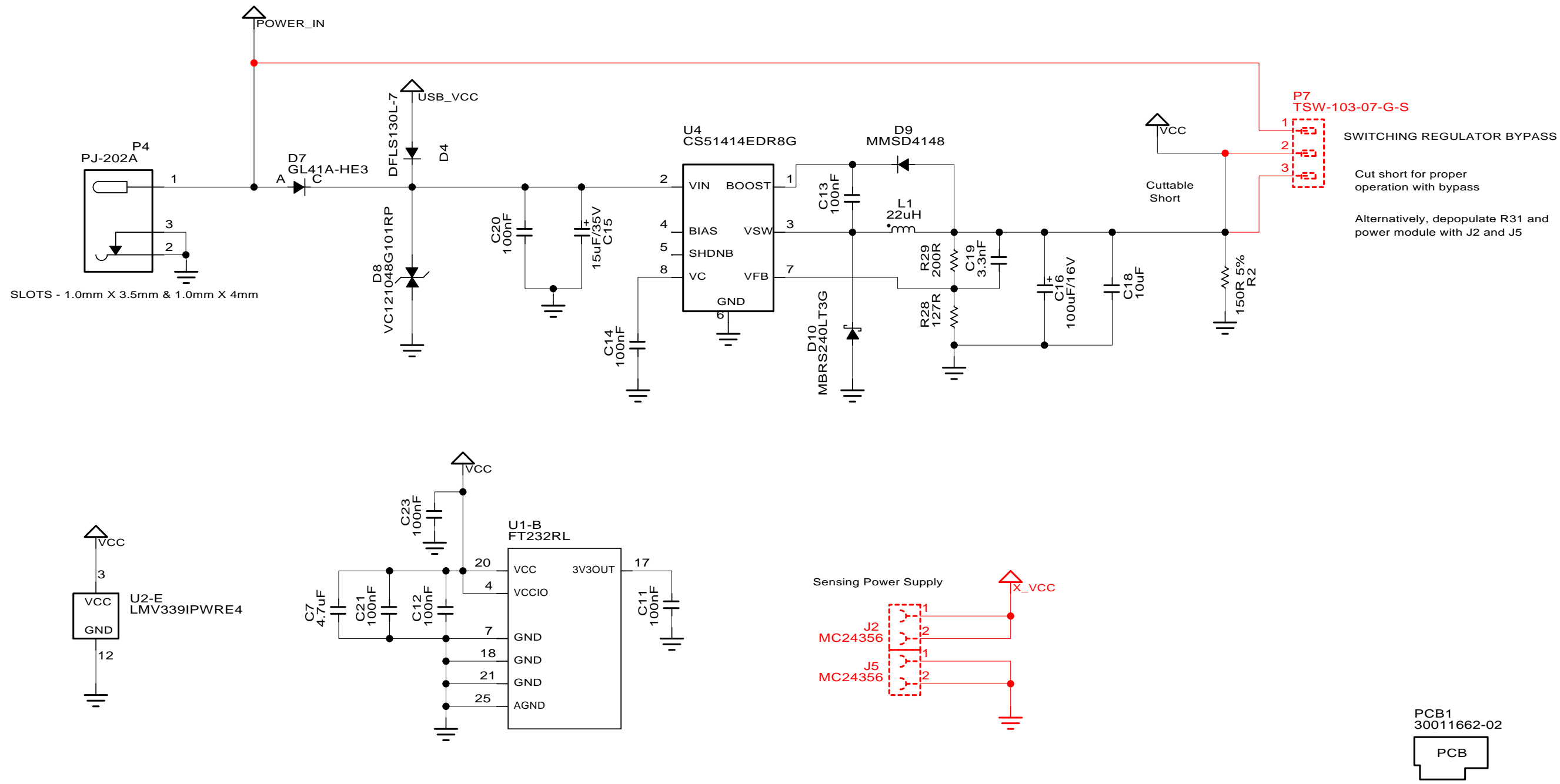


XBEE

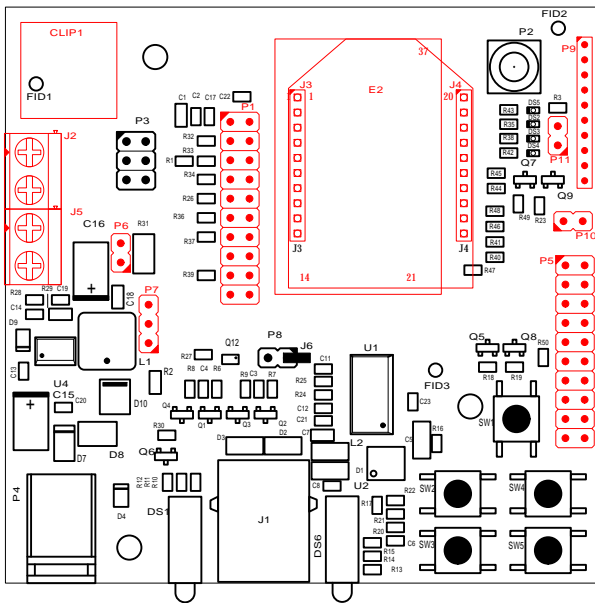


REV	ECO	DESCRIPTION OF CHANGE	BY	CKD	APPR	DATE
APPROVALS:		DATE:	TITLE XBee Interface Board XBIB-U-DEV TH/SMT Hybrid			
DESIGNED:		xx/xx/xx				
DRAWN:		xx/xx/xx				
CHECKED:		xx/xx/xx				
ENGINEER:		xx/xx/xx				
© Digi International Inc. All rights reserved		PART NO.		REV.		
		55001551-01		B1		
DO NOT SCALE DRAWING				SHEET 3 of 4		

POWER



REV	ECO	DESCRIPTION OF CHANGE	BY	CKD	APPR	DATE
APPROVALS:		DATE:	TITLE			
DESIGNED:		xx/xx/xx	XBee Interface Board			
DRAWN:		xx/xx/xx	XBIB-U-DEV			
CHECKED:		xx/xx/xx	TH/SMT Hybrid			
ENGINEER:		xx/xx/xx	PART NO.		REV.	
			55001551-01		B1	
© Digi International Inc. All rights reserved			DO NOT SCALE DRAWING		SHEET 4 of 4	



REV	ECO	DESCRIPTION OF CHANGE	BY	CKD	APPR	DATE
APPROVALS:		DATE:	TITLE			
DESIGNED: DW		06/09/14	Xbee Interface Board			
DRAWN:			XBIB-U-DEV			
CHECKED:			TH/SMT Hybrid			
ENGINEER:			PART NO.		REV.	
			55001551-01		B1	
Digi International Inc. All rights reserved			DO NOT SCALE DRAWING		SHEET 1 of 1	