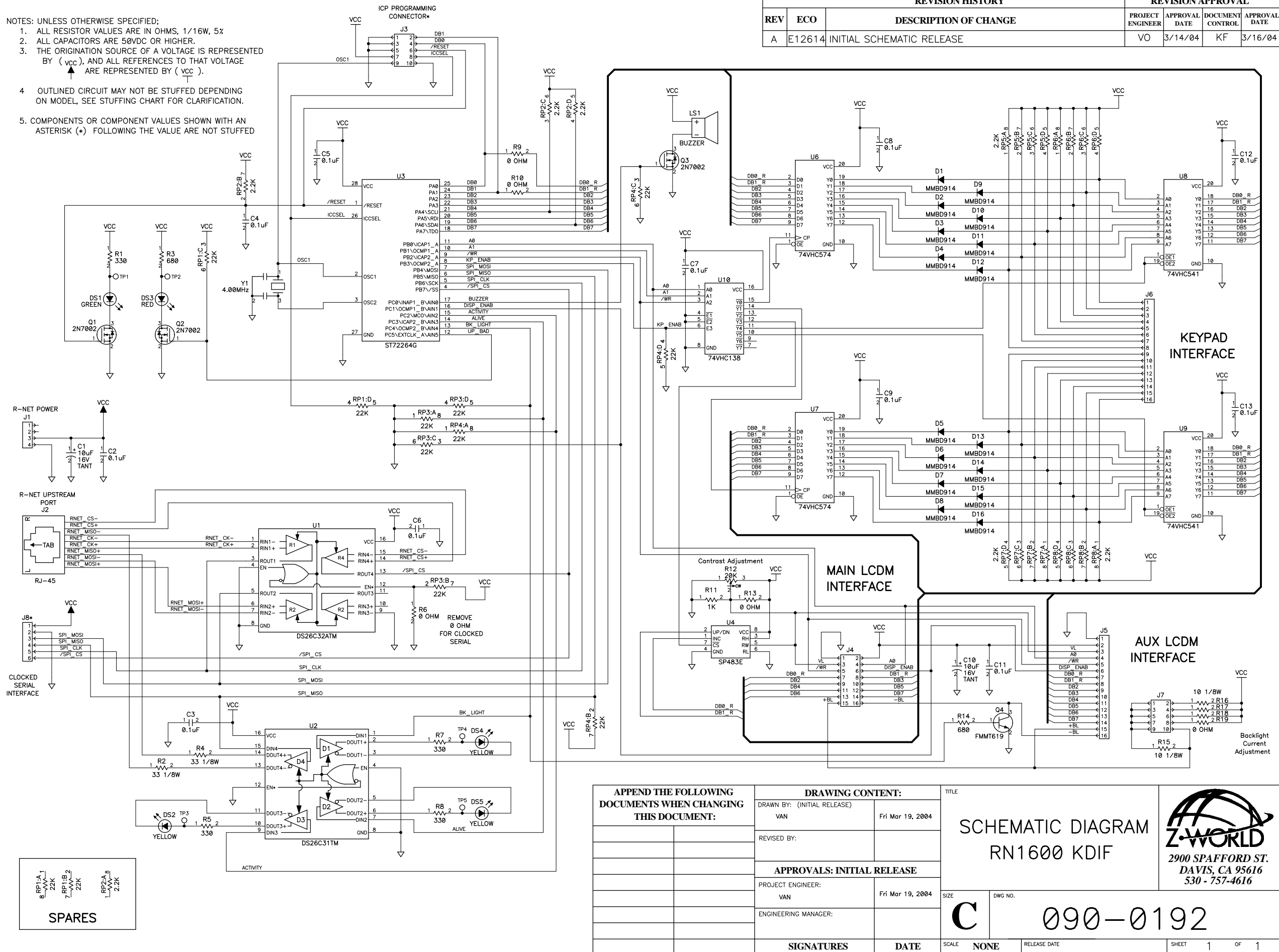


- NOTES: UNLESS OTHERWISE SPECIFIED;
1. ALL RESISTOR VALUES ARE IN OHMS, 1/16W, 5%
 2. ALL CAPACITORS ARE 50VDC OR HIGHER.
 3. THE ORIGIN SOURCE OF A VOLTAGE IS REPRESENTED BY (VCC), AND ALL REFERENCES TO THAT VOLTAGE ARE REPRESENTED BY (VCC).
 4. OUTLINED CIRCUIT MAY NOT BE STUFFED DEPENDING ON MODEL, SEE STUFFING CHART FOR CLARIFICATION.
 5. COMPONENTS OR COMPONENT VALUES SHOWN WITH AN ASTERISK (*) FOLLOWING THE VALUE ARE NOT STUFFED

REVISION HISTORY			REVISION APPROVAL			
REV	ECO	DESCRIPTION OF CHANGE	PROJECT ENGINEER	APPROVAL DATE	DOCUMENT CONTROL	APPROVAL DATE
A	E12614	INITIAL SCHEMATIC RELEASE	VO	3/14/04	KF	3/16/04



APPEND THE FOLLOWING DOCUMENTS WHEN CHANGING THIS DOCUMENT:		DRAWING CONTENT:		TITLE	SIZE	DWG NO.	
		DRAWN BY: (INITIAL RELEASE)	Fri Mar 19, 2004				SCHEMATIC DIAGRAM RN1600 KDIF
		REVISD BY:					
APPROVALS: INITIAL RELEASE				PROJECT ENGINEER: VAN Fri Mar 19, 2004	SCALE NONE	RELEASE DATE	SHEET 1 OF 1
SIGNATURES							



SPARES

8 RP1-A 22K
7 RP1-B 22K
1 RP2-A 2.2K
1 RP2-B 2.2K

Backlight
Current
Adjustment