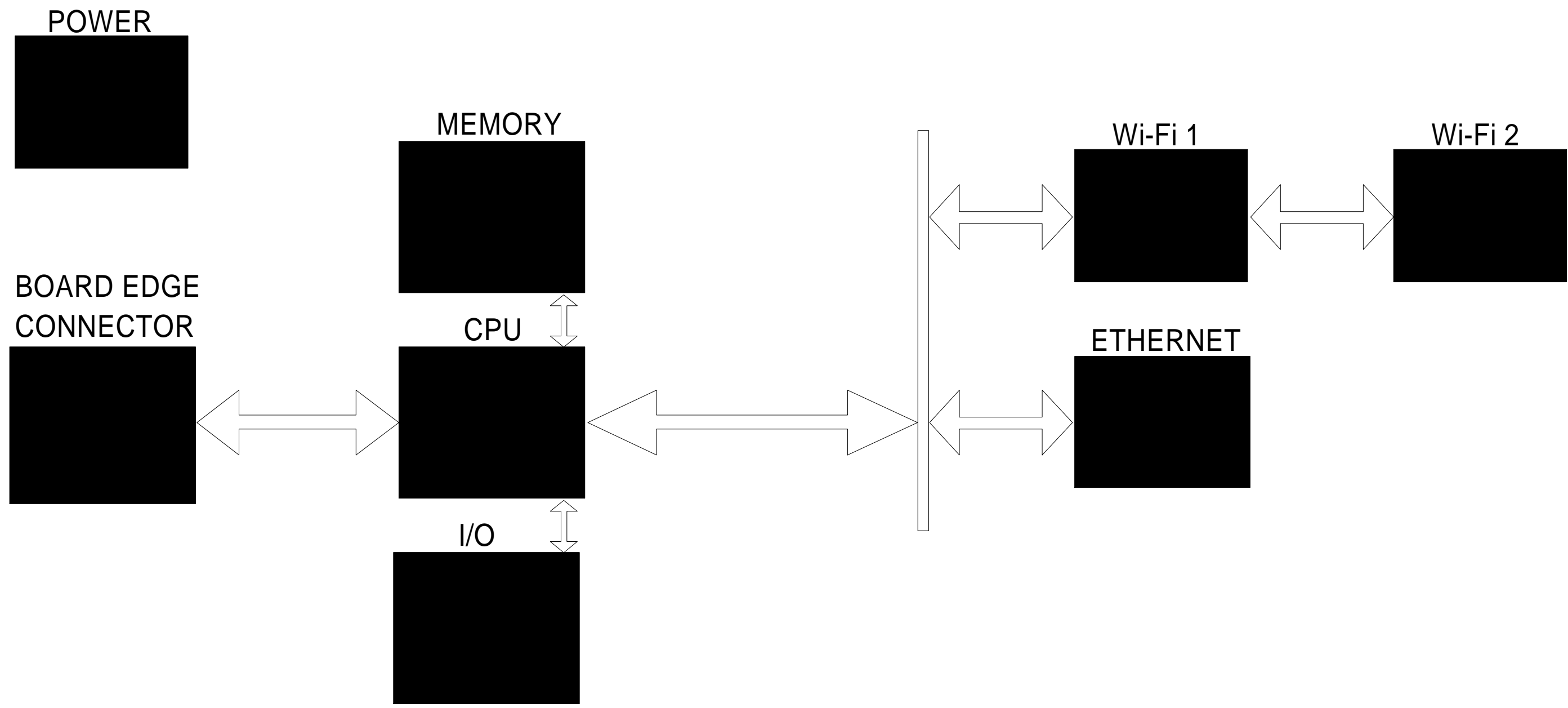
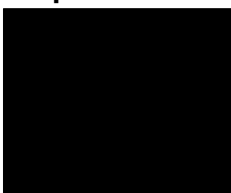


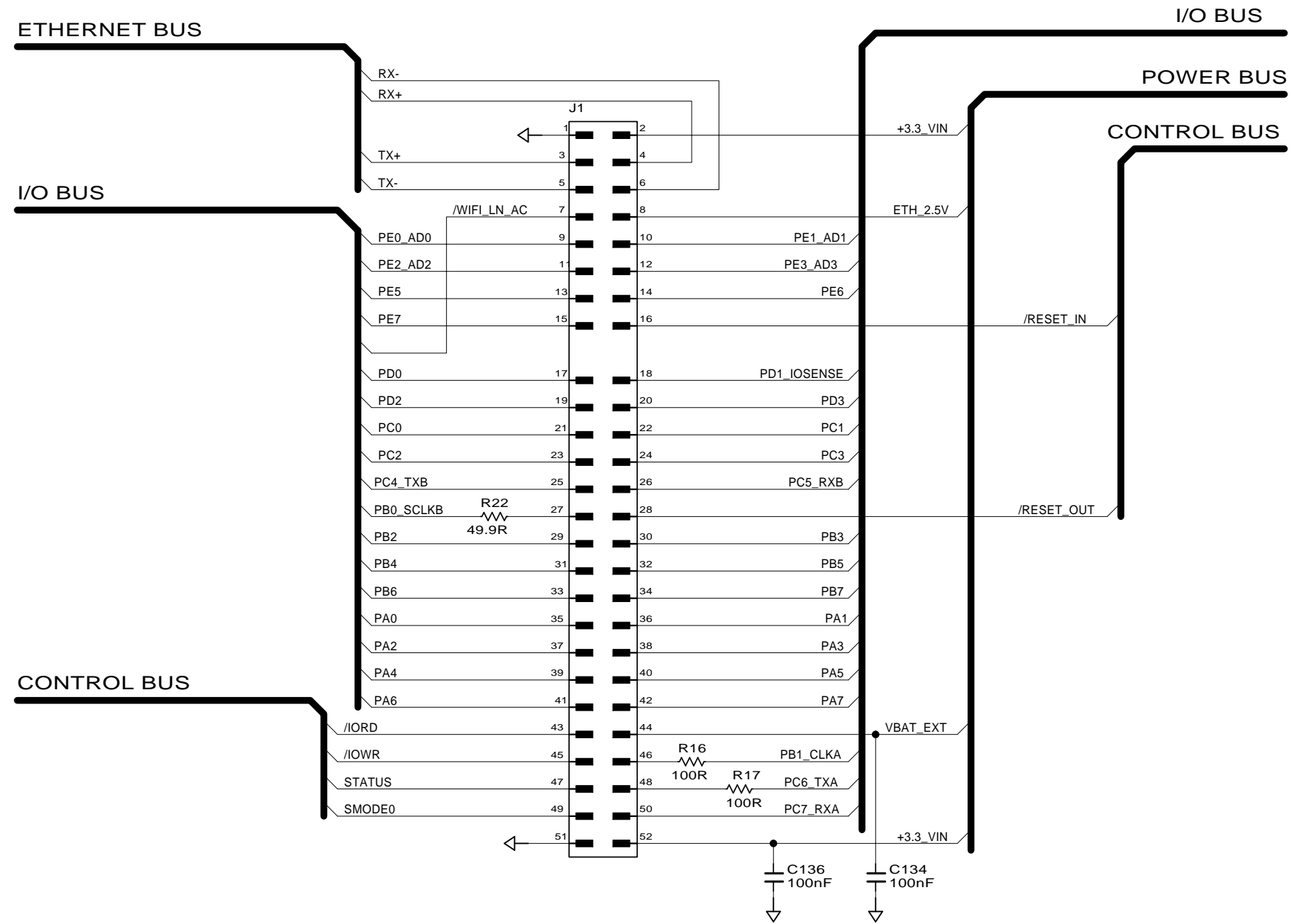
RABBIT RCM6600W BLOCK DIAGRAM



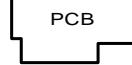
Options


REV	ECO	DESCRIPTION OF CHANGE	BY	CKD	APPR	DATE
APPROVALS:		DATE:	TITLE			
DESIGNED:			RCM6600W			
DRAWN:						
CHECKED:						
ENGINEER:		NL				
© Digi International Inc. All rights reserved			PART NO.		REV.	
			30010481-06		B	
DO NOT SCALE DRAWING					SHEET 1 of 11	

BOARD EDGE CONNECTOR



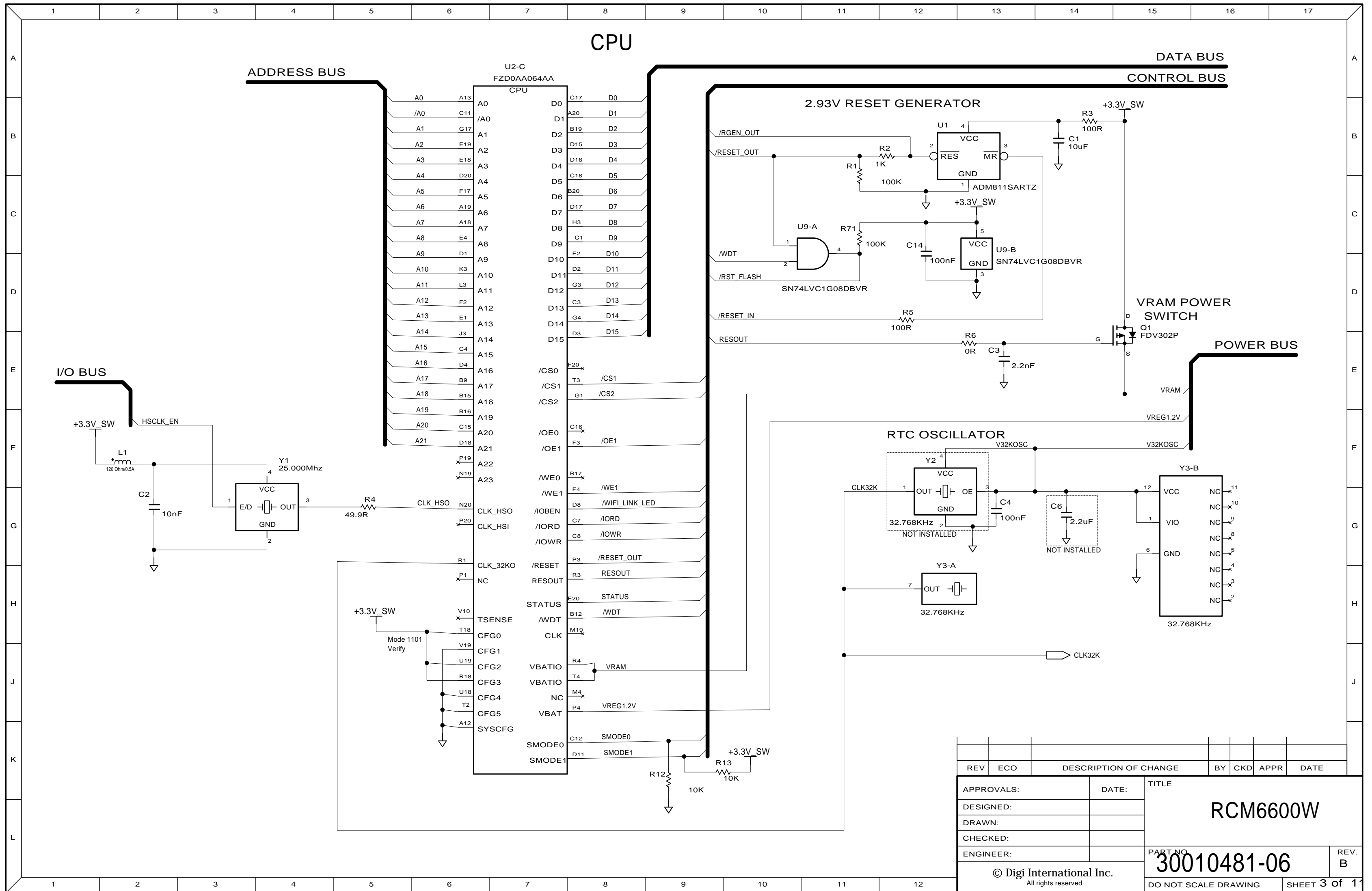
PCB1
30010482-06



E1
30010488-06

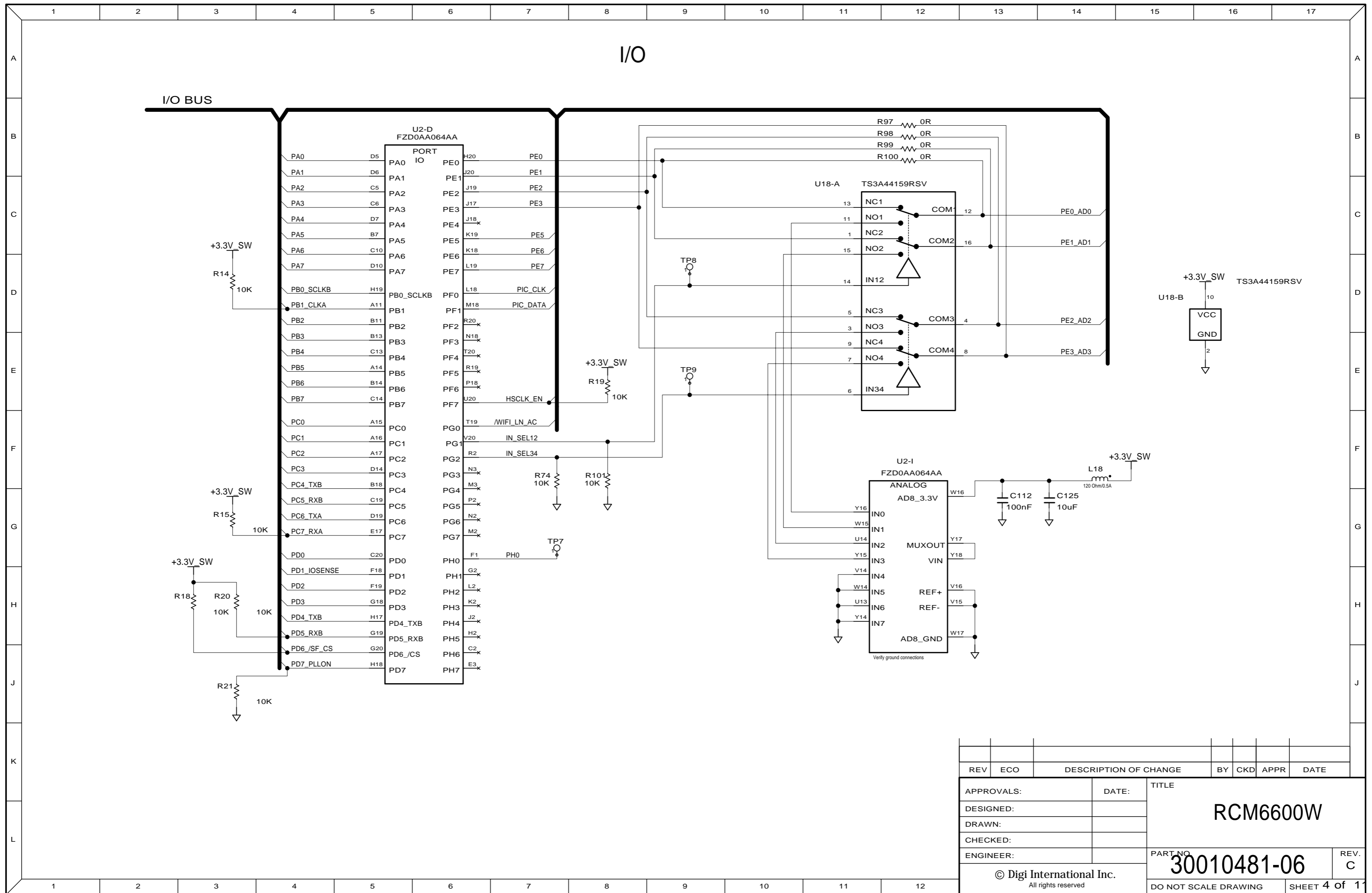


REV	ECO	DESCRIPTION OF CHANGE	BY	CKD	APPR	DATE
APPROVALS:		DATE:	TITLE			
DESIGNED:			RCM6600W			
DRAWN:						
CHECKED:						
ENGINEER:						
© Digi International Inc. All rights reserved.		PART NO. 30010481-06		REV. B		
DO NOT SCALE DRAWING						SHEET 2 of 17



REV	ECO	DESCRIPTION OF CHANGE	BY	CKD	APPR	DATE

APPROVALS:	DATE:	TITLE
DESIGNED:		RCM6600W
DRAWN:		
CHECKED:		
ENGINEER:		
© Digi International Inc. All rights reserved.		PART NO. 30010481-06
DO NOT SCALE DRAWING		REV. B



REV	ECO	DESCRIPTION OF CHANGE	BY	CKD	APPR	DATE
APPROVALS:		DATE:	TITLE			
DESIGNED:			RCM6600W			
DRAWN:						
CHECKED:						
ENGINEER:						
© Digi International Inc. All rights reserved			PART NO.		REV.	
			30010481-06		C	
DO NOT SCALE DRAWING					SHEET 4 of 17	

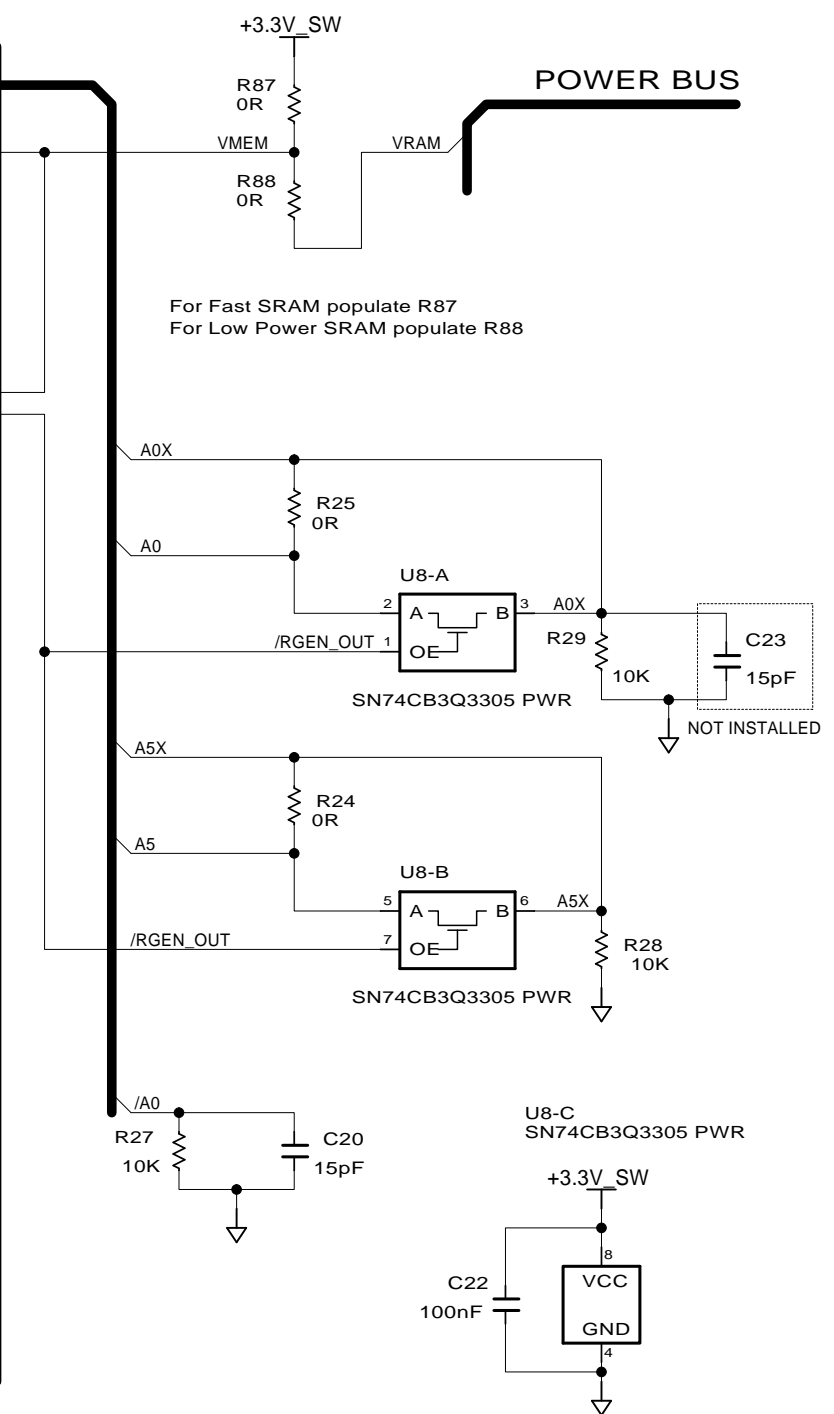
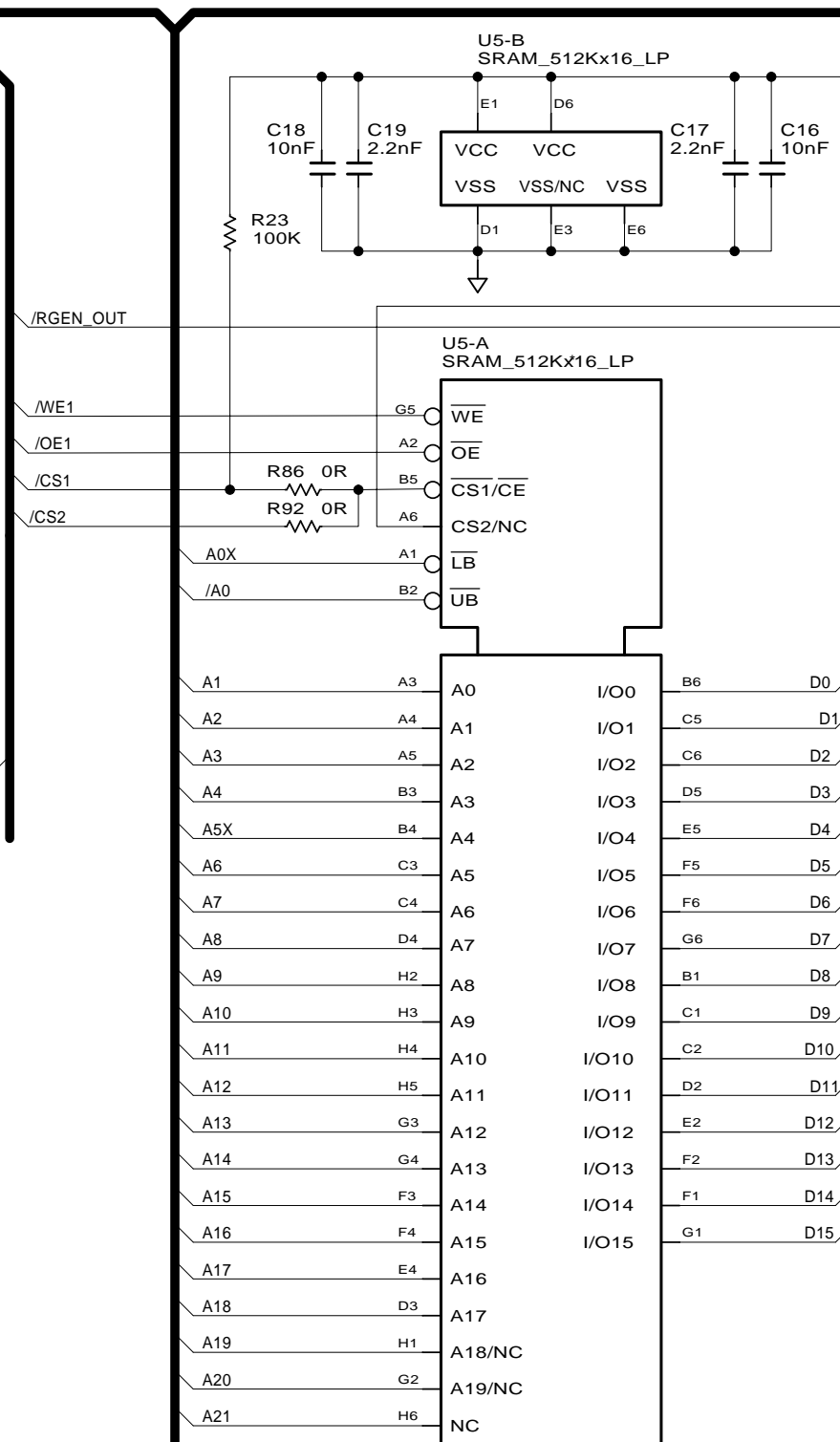
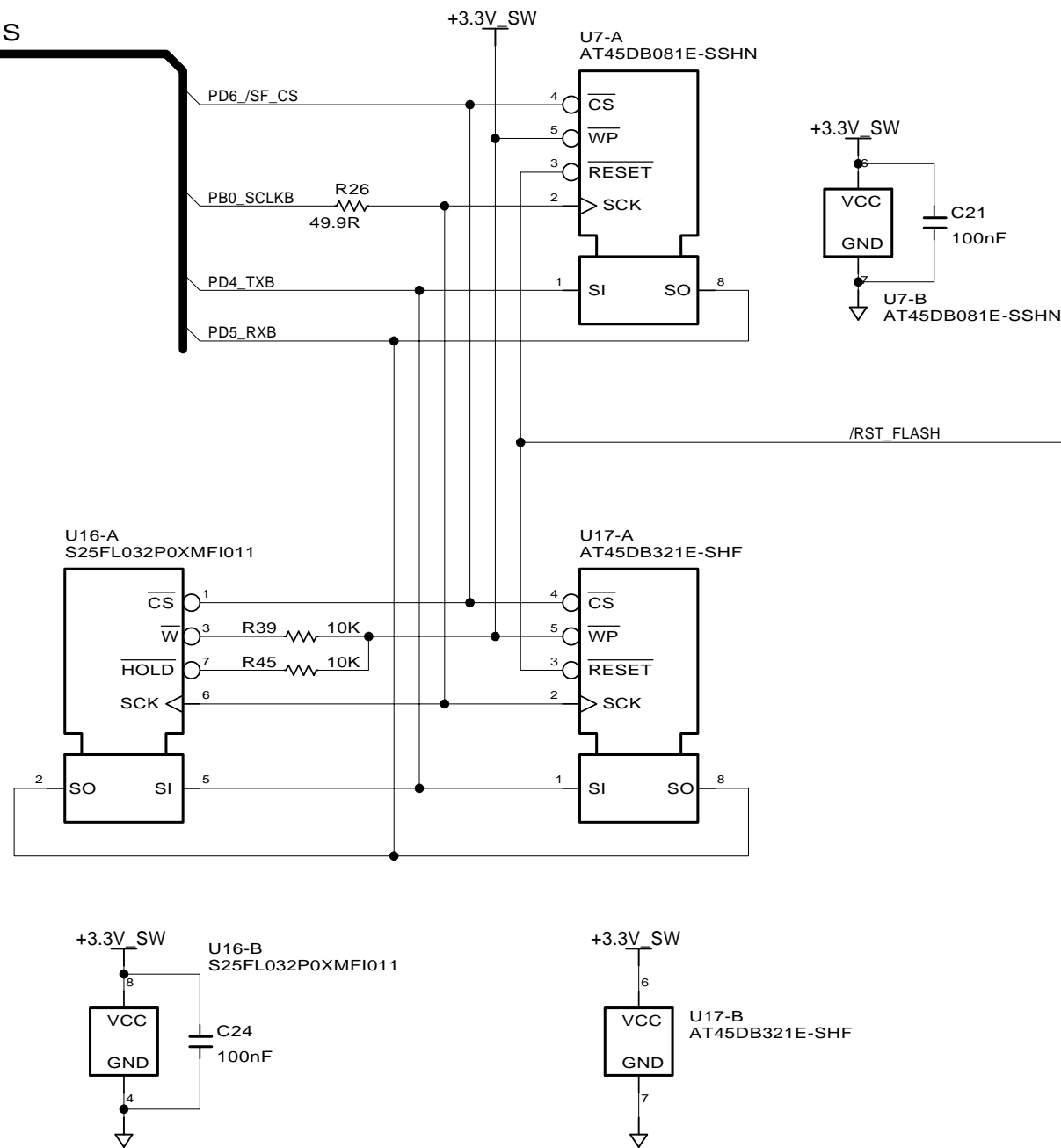
MEMORY

DATA BUS
ADDRESS BUS
CONTROL BUS

POWER BUS

SERIAL BOOT FLASH

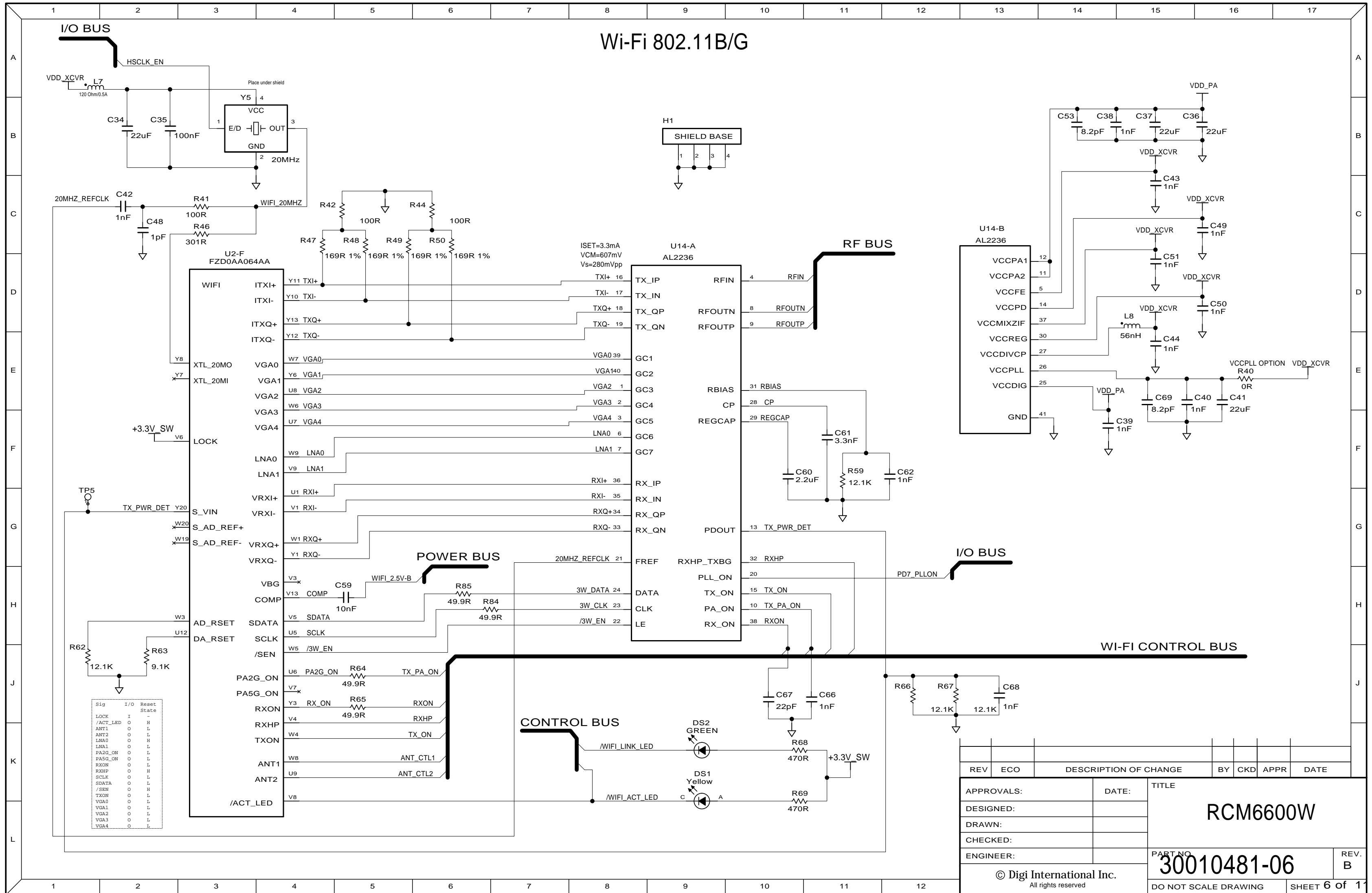
I/O BUS



REV	ECO	DESCRIPTION OF CHANGE	BY	CKD	APPR	DATE

APPROVALS:	DATE:	TITLE
DESIGNED:		RCM6600W
DRAWN:		
CHECKED:		
ENGINEER:		
© Digi International Inc. All rights reserved.		PART NO. 30010481-06
DO NOT SCALE DRAWING		REV. SHEET 5 of 17

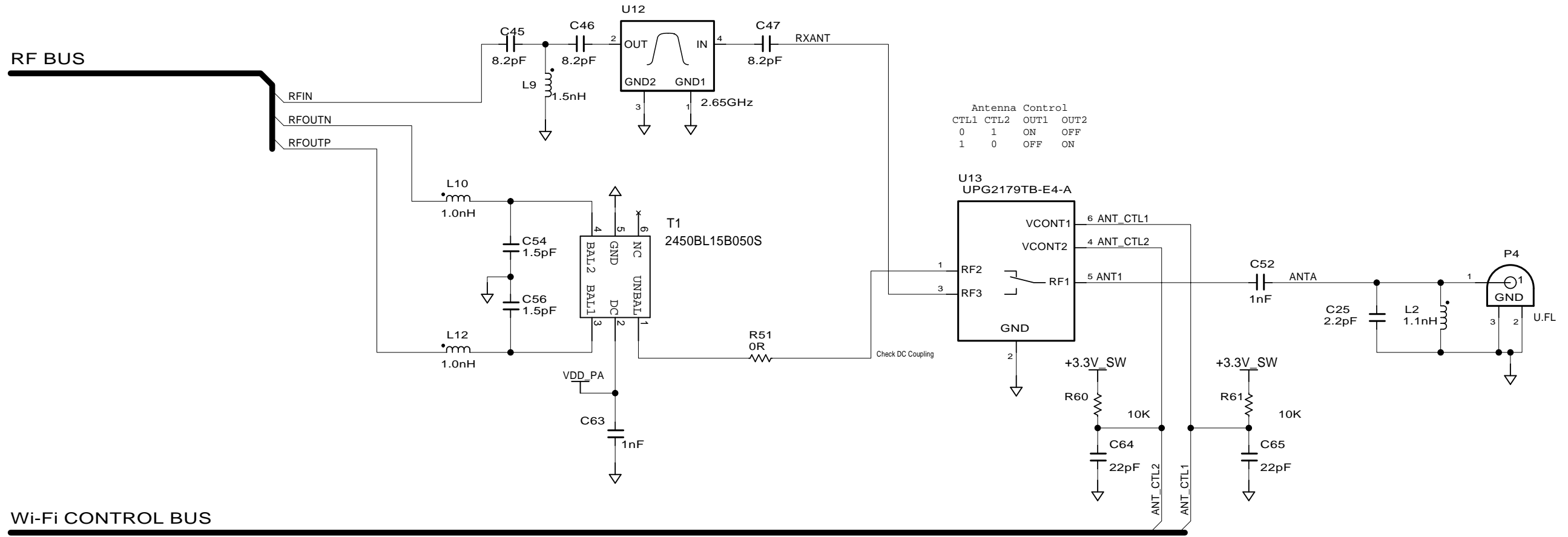
Wi-Fi 802.11B/G



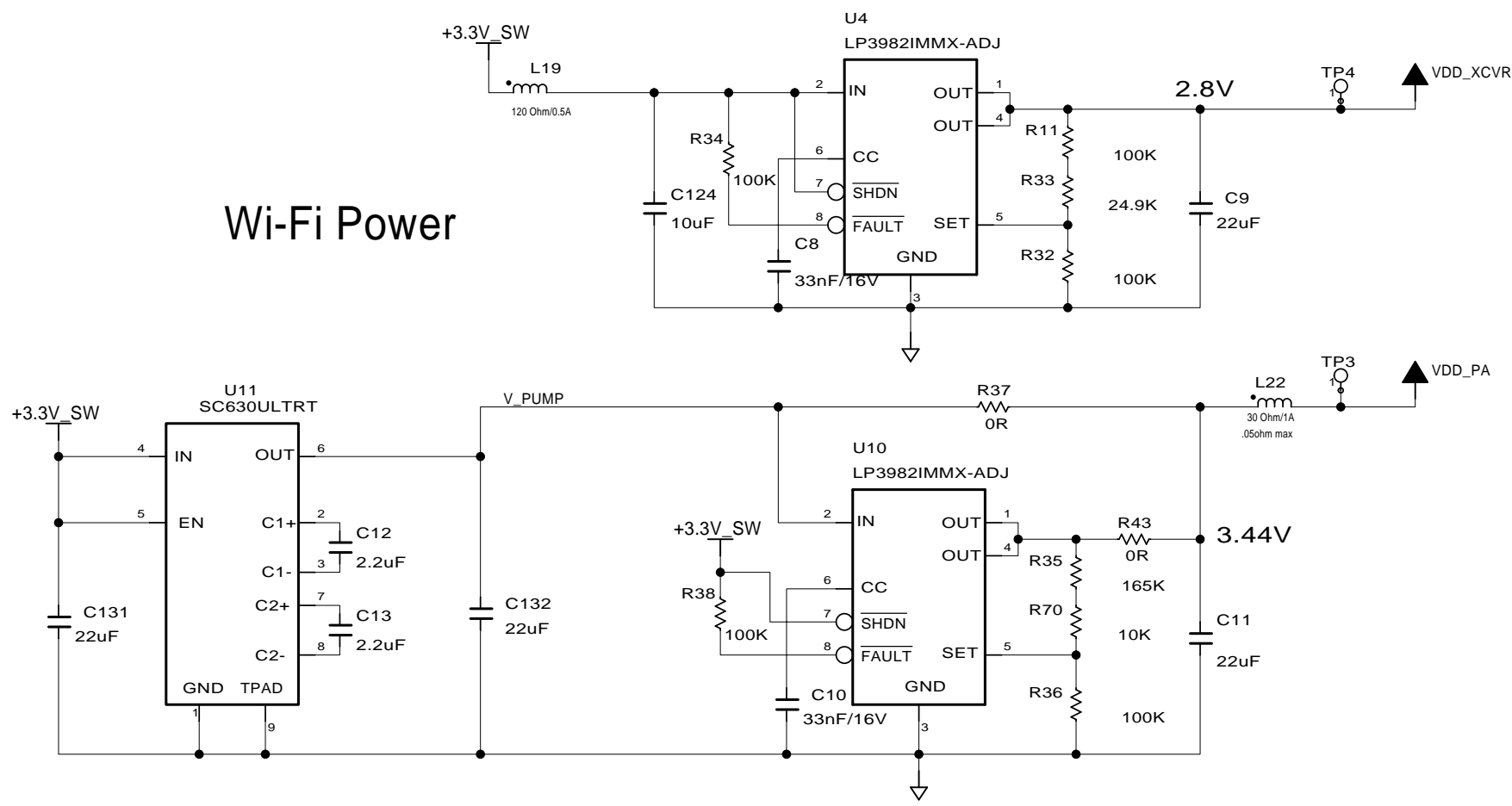
Sig	I/O	Reset State
LOCK	I	-
/ACT_LED	O	H
ANT1	O	L
ANT2	O	L
LNA0	O	H
LNA1	O	L
PA2G_ON	O	L
PA5G_ON	O	L
RXON	O	L
RXHP	O	H
SCLK	O	L
/SEN	O	H
TXON	O	L
VGA0	O	L
VGA1	O	L
VGA2	O	L
VGA3	O	L
VGA4	O	L

REV	ECO	DESCRIPTION OF CHANGE	BY	CKD	APPR	DATE
APPROVALS:						
DESIGNED:						
DRAWN:						
CHECKED:						
ENGINEER:						
© Digi International Inc. All rights reserved						DATE:
TITLE						REV. B
PART NO.						30010481-06
DO NOT SCALE DRAWING						SHEET 6 of 17

Wi-Fi 802.11B/G



Wi-Fi Power



REV	ECO	DESCRIPTION OF CHANGE	BY	CKD	APPR	DATE

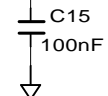
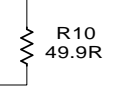
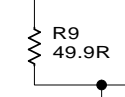
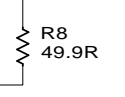
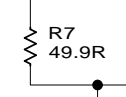
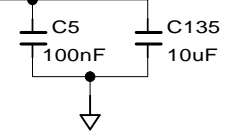
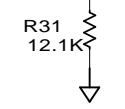
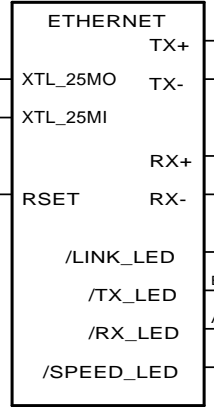
APPROVALS:	DATE:	TITLE
DESIGNED:		RCM6600W
DRAWN:		
CHECKED:		
ENGINEER:		
© Digi International Inc. All rights reserved.		PART NO. 30010481-06
DO NOT SCALE DRAWING		REV. B

ETHERNET

POWER BUS

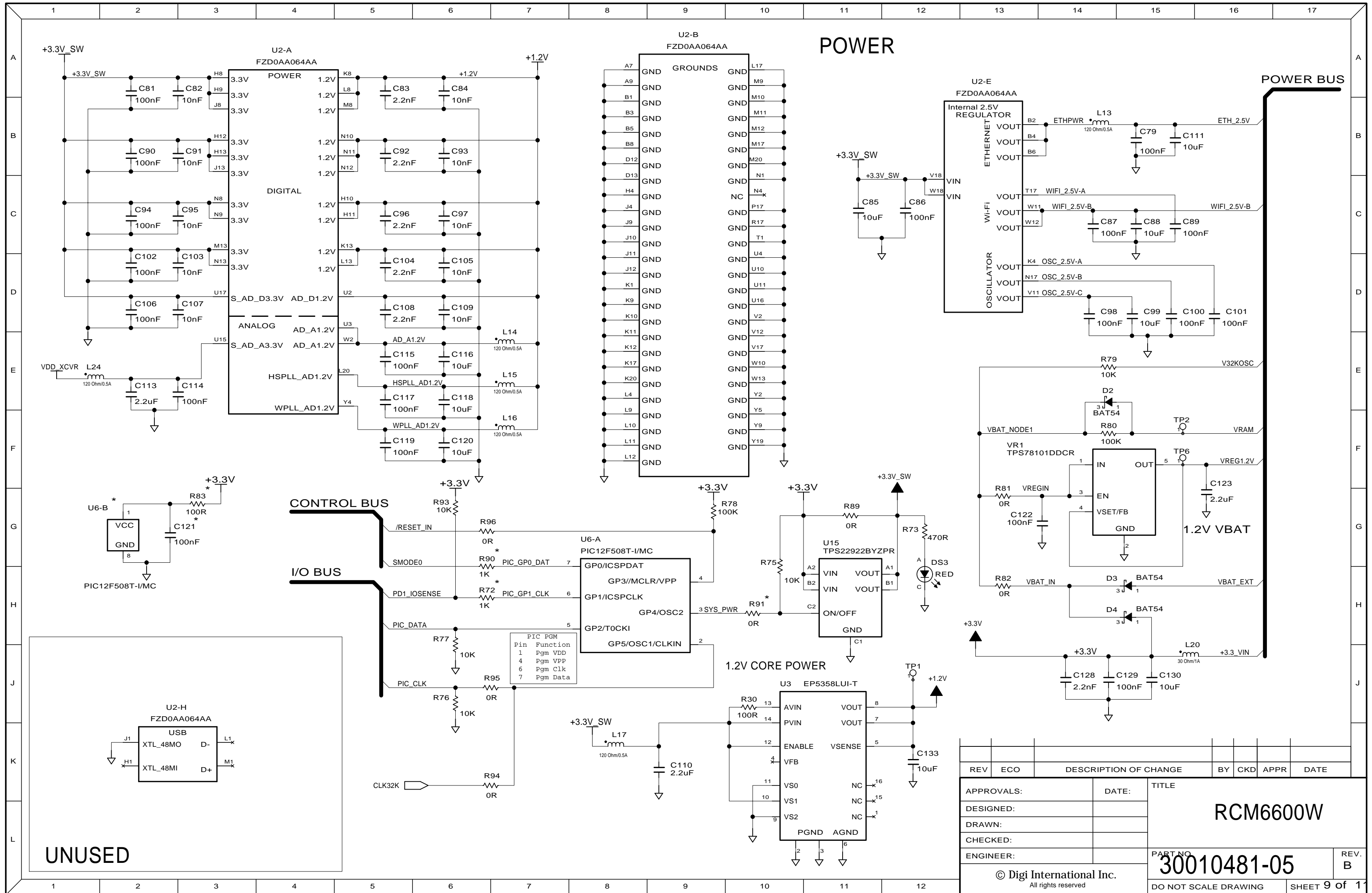
ETH_2.5V

U2-G
FZD0AA064AA



ETHERNET BUS

REV	ECO	DESCRIPTION OF CHANGE	BY	CKD	APPR	DATE
APPROVALS:		DATE:	TITLE			
DESIGNED:			RCM6600W			
DRAWN:						
CHECKED:						
ENGINEER:						
© Digi International Inc. All rights reserved		PART NO.		REV.		
		30010481-06		B		
DO NOT SCALE DRAWING						SHEET 8 of 17



REV	ECO	DESCRIPTION OF CHANGE	BY	CKD	APPR	DATE

APPROVALS:	DATE:	TITLE
DESIGNED:		RCM6600W
DRAWN:		
CHECKED:		
ENGINEER:		
© Digi International Inc. All rights reserved.		PART NO. 30010481-05
DO NOT SCALE DRAWING		REV. B

UNUSED

RCM6600W

30010481-05

© Digi International Inc.
All rights reserved.

DO NOT SCALE DRAWING SHEET 9 of 17

MODELS AND OPTIONS

MODELS

OPTION	RCM6600W	RCM6650W	
SERIAL FLASH	1MB	4MB	
MEMORY (SRAM)	NONE	1MB BATTERY BACKED	
LOW POWER CONTROL	YES	YES	

SERIAL FLASH OPTION

ITEM	1MB	4MB
U7	651-0105	651-0086

MEMORY (SRAM) OPTION

ITEM	NONE	1MB FAST	1MB BAT BACKED
U5	NOT INSTALLED	16051244	650-0060
E1	NOT INSTALLED	E1:1-2 (0R)	E1:2-3 (0R)
C16-C19	NOT INSTALLED	INSTALLED	INSTALLED
R24, R25	NOT INSTALLED	INSTALLED	NOT INSTALLED
U8, R23 R27-R29, C20, C22	NOT INSTALLED	NOT INSTALLED	INSTALLED

LOW POWER CONTROL OPTION

ITEM	YES	NO
U6, U15 R72, R73, R75-R78, R83, R90, R91 C121, DS3, D4	INSTALLED	NOT INSTALLED
R89, D2	NOT INSTALLED	INSTALLED

REV	ECO	DESCRIPTION OF CHANGE	BY	CKD	APPR	DATE
APPROVALS:		DATE:	TITLE			
DESIGNED:			RCM6600W			
DRAWN:						
CHECKED:						
ENGINEER:						
© Digi International Inc. All rights reserved		PART NO.		REV.		
		30010481-06		B		
DO NOT SCALE DRAWING						SHEET 10 of 17