

4 STUFFING CHART

PART	RCM3305	RCM3315
U5	8MB (AT45DB642D-TU)	4MB (AT45DB321D-TU)
U6	NOT INSTALLED	NOT INSTALLED
E-NET CTRL	ASIX	

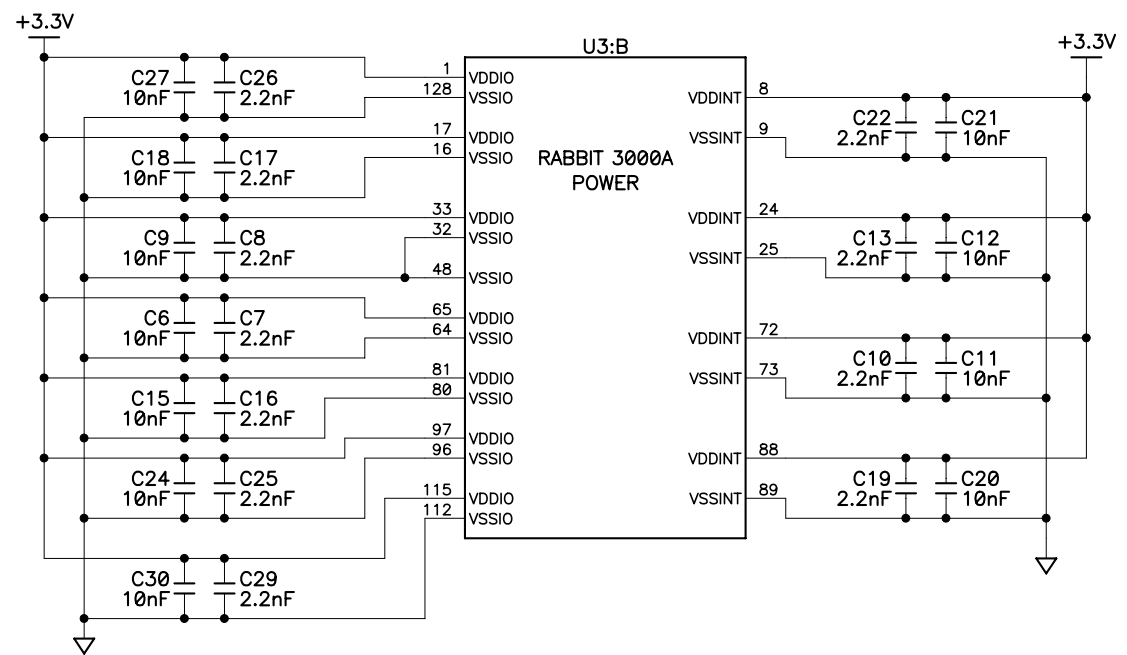
PART	SMSC	ASIX
U8	LAN91C113I	NOT INSTALLED
U13	NOT INSTALLED	AX88796L
R26	470 ohm	NOT INSTALLED
R27	470 ohm	NOT INSTALLED
R28	10K	NOT INSTALLED
R30	24.9 ohm	NOT INSTALLED
R31	24.9 ohm	NOT INSTALLED
R33	NOT INSTALLED	2M
R34	0 ohm	470 ohm
R44	0 ohm	NOT INSTALLED
R47	10K	NOT INSTALLED
R48	10K	NOT INSTALLED
R49	10K	NOT INSTALLED
R50	NOT INSTALLED	470 ohm
R51	10K	NOT INSTALLED
R52	10K	NOT INSTALLED
R55	24.9 ohm	NOT INSTALLED
R56	24.9 ohm	NOT INSTALLED
R57	NOT INSTALLED	49.9 ohm
R58	NOT INSTALLED	49.9 ohm
R60	NOT INSTALLED	470 ohm
R61	NOT INSTALLED	470 ohm
R62	NOT INSTALLED	470 ohm
R63	NOT INSTALLED	470 ohm
R64	NOT INSTALLED	470 ohm
R79	NOT INSTALLED	24.9K
R81	NOT INSTALLED	2.49K
R82	NOT INSTALLED	20K
C42	NOT INSTALLED	10uF @10V
C43	NOT INSTALLED	10uF @10V
C58	100nF	NOT INSTALLED
C62	10nF	2.2nF
C63	10nF	NOT INSTALLED
C64	10nF	NOT INSTALLED
C69	NOT INSTALLED	2.2nF
C70	NOT INSTALLED	10nF
C71	NOT INSTALLED	10nF
C72	NOT INSTALLED	10nF
C73	NOT INSTALLED	100nF

PART	SMSC	ASIX
C74	NOT INSTALLED	10nF
C77	NOT INSTALLED	10nF
C78	NOT INSTALLED	10nF
C79	NOT INSTALLED	100nF
C80	NOT INSTALLED	100nF
C81	NOT INSTALLED	10nF
C82	NOT INSTALLED	10uF @ 10V
C85	NOT INSTALLED	100nF
L2	NOT INSTALLED	10 @ 100MHz
L4	NOT INSTALLED	10 @ 100MHz
U12	NC7SZ04	NOT INSTALLED
DS4	NOT INSTALLED	Green LED

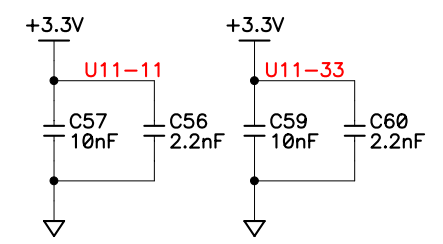
REVISION HISTORY			REVISION APPROVAL			
REV	ECO	DESCRIPTION	PROJECT ENGINEER	APPROVAL DATE	DOCUMENT CONTROL	APPROVAL DATE
A	E13330	INITIAL RELEASE	VO	8/26/05	KF	8/26/05
B	E14123	ADD SCHMITT TRIGER CKT TO 32KHz OSC	VO	9/30/05	KF	9/30/05
C	E14214	REPLACE U5 & U6 WITH TSOP AND CASON PACKAGES	VO	3/15/06	KF	3/15/06
D	E15098	CHANGE Y2 CRYSTAL AND C34, C35 TO 33pF	TCP		KF	

- NOTES: UNLESS OTHERWISE SPECIFIED;
- ALL RESISTOR VALUES ARE IN OHMS, 1/16W, 5%
 - ALL CAPACITORS ARE 16VDC OR HIGHER.
 - THE ORIGIN SOURCE OF A VOLTAGE IS REPRESENTED BY (VCC), AND ALL REFERENCES TO THAT VOLTAGE ARE REPRESENTED BY (VCC).

4 COMPONENT IN DASHED BOX AND COMPONENT VALUES SHOWN WITH AN ASTERISK (*) FOLLOWING THE VALUE ARE EITHER NOT INSTALLED OR INSTALLED AS INDICATED IN THE STUFFING CHART.

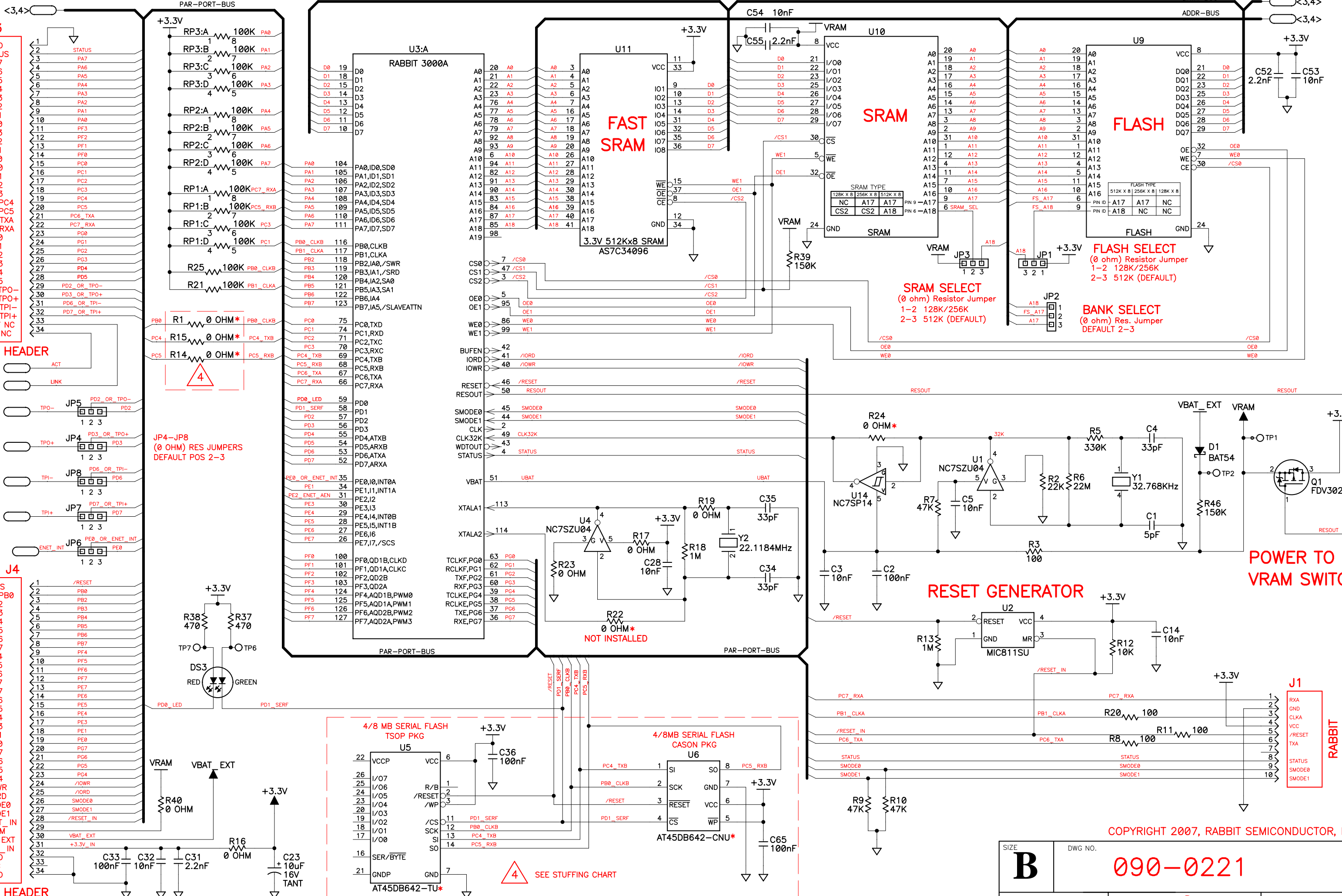


BYPASS CAPS FOR FAST SRAM @ U11



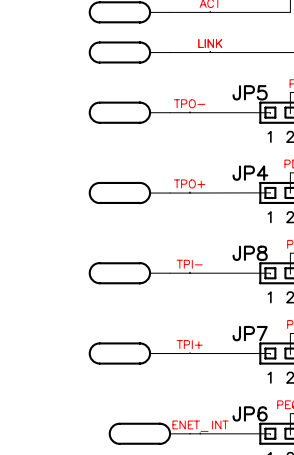
COPYRIGHT 2007, RABBIT SEMICONDUCTOR, INC.

APPEND THE FOLLOWING DOCUMENTS WHEN CHANGING THIS DOCUMENT:	DRAWING CONTENT: DRAWN BY: (INITIAL RELEASE) XUAN TRUONG, VAN 12/22/03 REVISED BY: TCP 3/21/07		TITLE <h1 style="text-align: center;">RCM3305/15 CORE MODULE</h1>	
	APPROVALS: INITIAL RELEASE			
	PROJECT ENGINEER: VAN			
	ENGINEERING MANAGER: DENNIS THOMPSON			
SIGNATURES	DATE	SCALE NONE	DWG NO. 090-0221	SHEET 1 OF 4



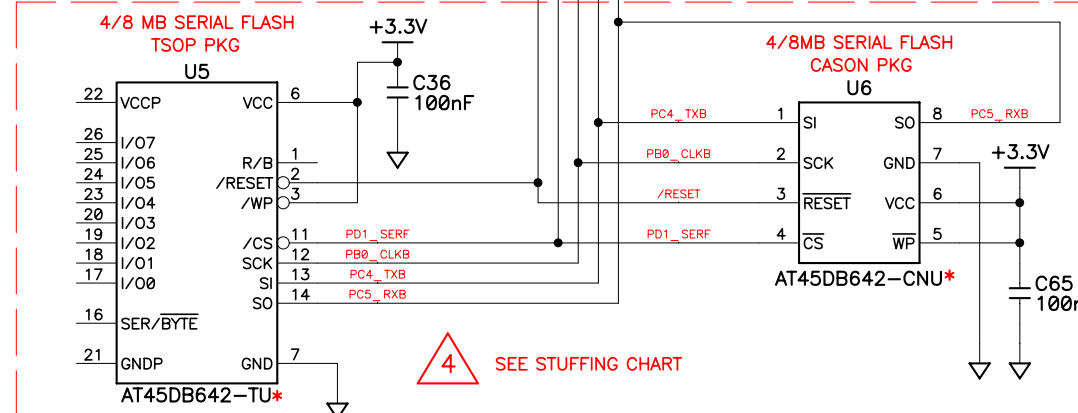
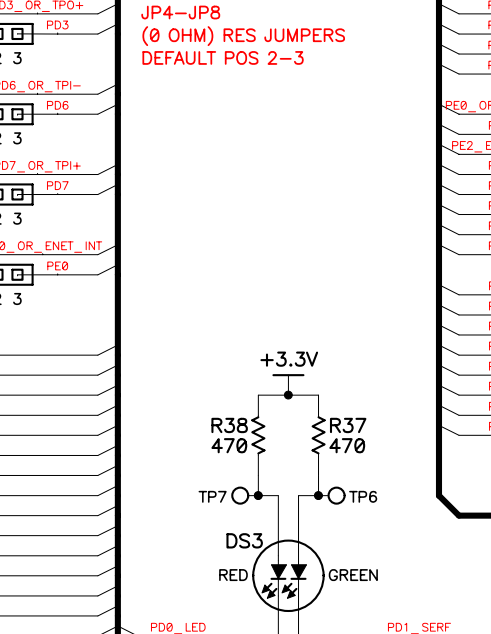
- J3**
- GND
 - STATUS
 - PA7
 - PA6
 - PA5
 - PA4
 - PA3
 - PA2
 - PA1
 - PA0
 - PF3
 - PF2
 - PF1
 - PF0
 - PC0
 - PC1
 - PC2
 - PC3
 - NC / PC4
 - NC / PC5
 - PC6_TXA
 - PC7_RXA
 - PG0
 - PG1
 - PG2
 - PG3
 - PG4
 - PG5
 - PD2 / TPO-
 - PD3 / TPO+
 - PD6 / TPI-
 - PD7 / TPI+
 - LINK / NC
 - ACT
 - LINK
 - TPO-
 - TPO+
 - TPI-
 - TPI+
 - ENET_INT

2 X 17 HEADER

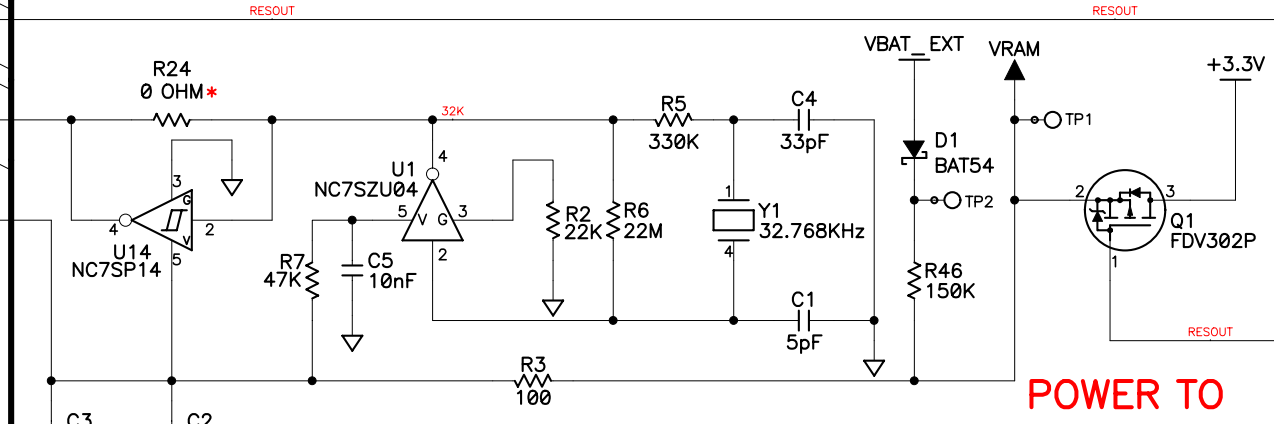


- J4**
- /RES
 - NC / PB0
 - PB2
 - PB3
 - PB4
 - PB5
 - PB6
 - PB7
 - PF4
 - PF5
 - PF6
 - PF7
 - PE6
 - PE5
 - PE4
 - PE3
 - PE1
 - PE0
 - PG7
 - PG6
 - PG5
 - PG4
 - /IOWR
 - /IORD
 - SMODE0
 - SMODE1
 - /RESET_IN
 - VRAM
 - VBAT_EXT
 - +3.3V_IN
 - GND
 - NC
 - GND

2 X 17 HEADER

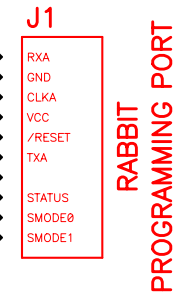


4 SEE STUFFING CHART



POWER TO VRAM SWITCH

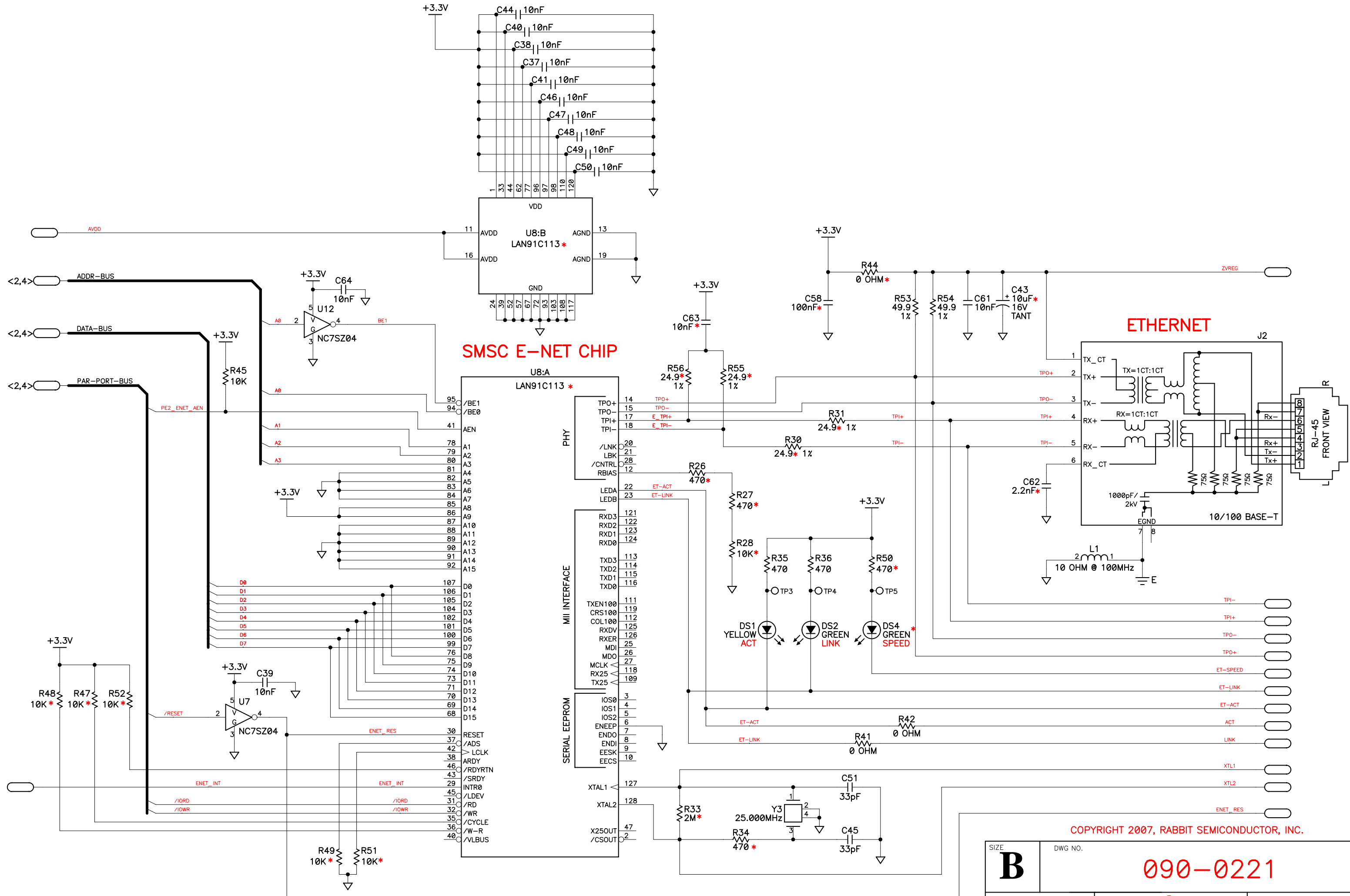
RESET GENERATOR



RABBIT PROGRAMMING PORT

COPYRIGHT 2007, RABBIT SEMICONDUCTOR, INC.

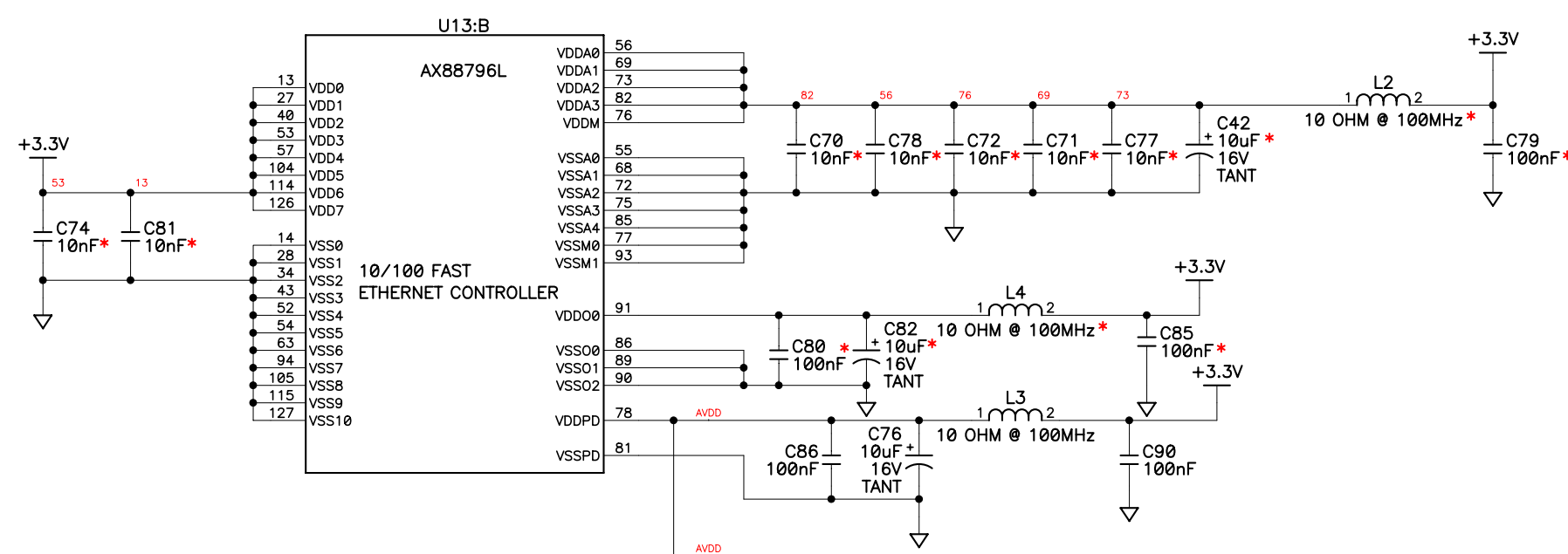
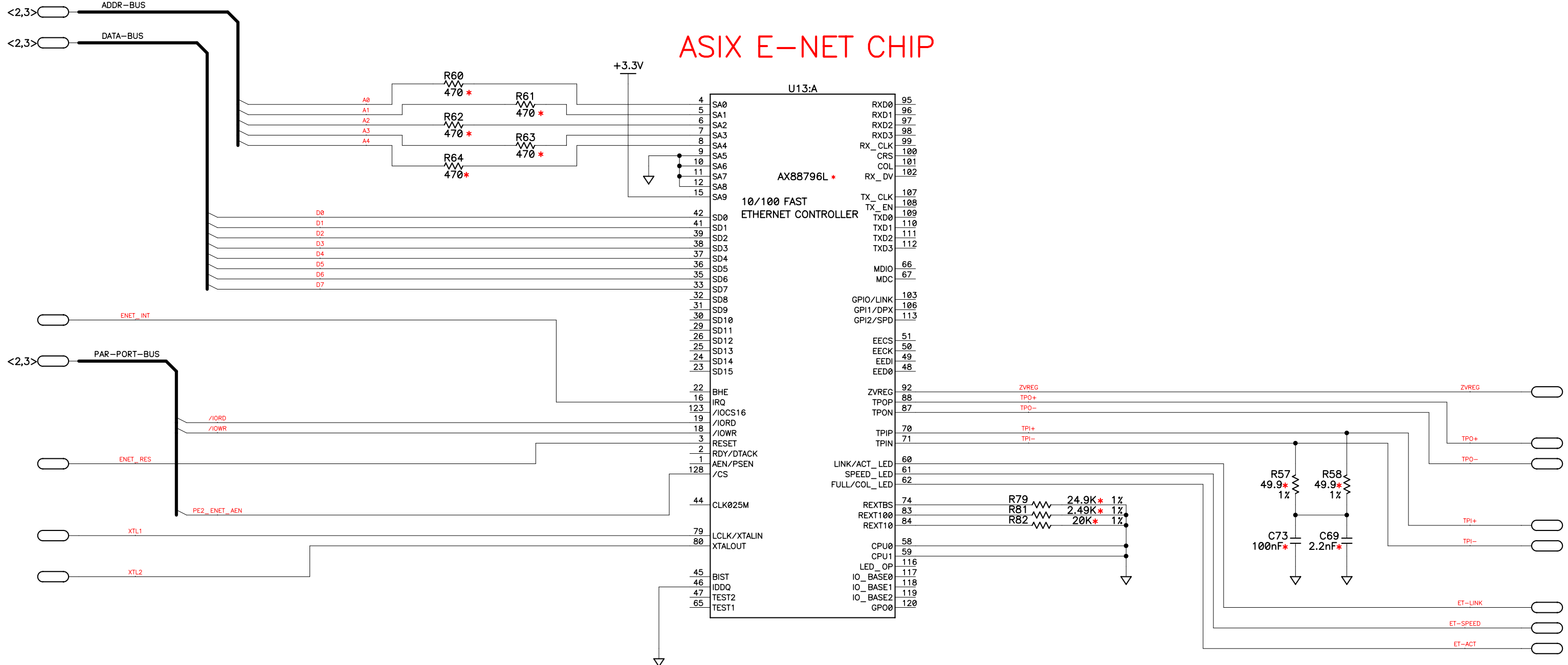
SIZE	DWG NO.
B	090-0221
SCALE	REV LTR
NONE	D
SHEET	OF
2	4



COPYRIGHT 2007, RABBIT SEMICONDUCTOR, INC.

SIZE B	DWG NO. 090-0221
SCALE NONE	REV LTR D
SHEET 3	OF 4

ASIX E-NET CHIP



COPYRIGHT 2007, RABBIT SEMICONDUCTOR, INC.

SIZE B	DWG NO. 090-0221
SCALE NONE	REV LTR D
SHEET 4	OF 4