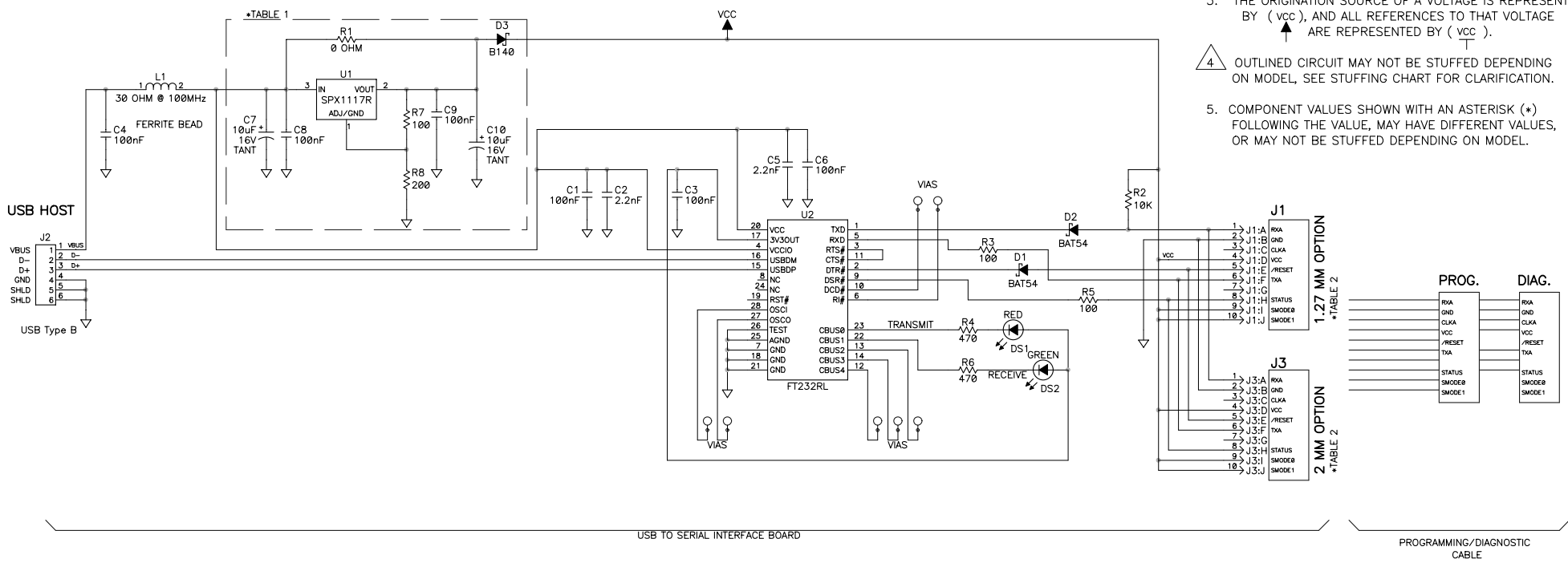


REVISION HISTORY			REVISION APPROVAL			
REV	ECO	DESCRIPTION	PROJECT ENGINEER	APPROVAL DATE	DOCUMENT CONTROL	APPROVAL DATE
A	E15039	INITIAL RELEASE	HH			
B	E00946	ADD STUFFING INDICATION FOR J1 & J3. ADDED "PROG." AND "DIAG." WIRING DIAGRAMS.	HH			

- NOTES: UNLESS OTHERWISE SPECIFIED;
- ALL RESISTOR VALUES ARE IN OHMS, 1/16W, 5%
 - ALL CAPACITORS ARE 10VDC OR HIGHER.
 - THE ORIGINATION SOURCE OF A VOLTAGE IS REPRESENTED BY (VCC), AND ALL REFERENCES TO THAT VOLTAGE ARE REPRESENTED BY (VCC).
- △ OUTLINED CIRCUIT MAY NOT BE STUFFED DEPENDING ON MODEL, SEE STUFFING CHART FOR CLARIFICATION.
5. COMPONENT VALUES SHOWN WITH AN ASTERISK (*) FOLLOWING THE VALUE, MAY HAVE DIFFERENT VALUES, OR MAY NOT BE STUFFED DEPENDING ON MODEL.



*TABLE 1

UNINSTALL	INSTALL	DESCRIPTION
R7, R8, U1	R1, D3 C7, C8 C9, C10	-CORE POWERED BY 5V FROM USB -PROGRAMMING BOARD POWERED BY USB
R1	C7, C8 C9, C10 R7, R8 U1, D3	-CORE POWERED BY 3.3V FROM USB -PROGRAMMING BOARD POWERED BY USB
C7, C8 C9, C10 R1, R7 R8, U1 D3		-CORE SELF POWERED -PROGRAMMING BOARD POWERED BY USB

WARNING: CORE SHOULD NOT BE SELF POWERED IF THESE COMPONENTS ARE STUFFED

DEFAULT

*TABLE 2

UNINSTALL	INSTALL	DESCRIPTION
J1	J3	2MM OPTION
J3	J1	1.27MM OPTION

COPYRIGHT 2009, DIGI INTERNATIONAL

APPEND THE FOLLOWING DOCUMENTS WHEN CHANGING THIS DOCUMENT:		DRAWING CONTENT:		TITLE	
		DRAWN BY: (INITIAL RELEASE) H. HAM	JAN. 8, 2007	USB TO RABBIT PROGRAMMING CABLE	
		REVISED BY: H. HAM	MAR. 10, 2009		
APPROVALS: INITIAL RELEASE					
		PROJECT ENGINEER: H. HAM		SIZE B	DWG NO. 090-0252
		ENGINEERING MANAGER: X. TRUONG		SCALE NONE	RELEASE DATE
		SIGNATURES	DATE	SHEET 1 OF 1	

RABBIT SEMICONDUCTOR
www.rabbit.com