

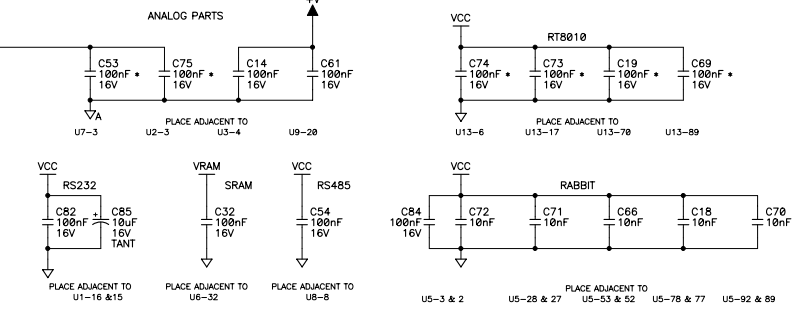
		REVISION HISTORY	REVISION APPROVAL			
REV	ECO	DESCRIPTION OF CHANGE	PROJECT ENGINEER	APPROVAL DATE	DOCUMENT CONTROL	APPROVAL DATE
A	E11394	INITIAL SCHEMATIC RELEASE	VAN	5/13/01	KIS	5/13/01
B	E11620	NEW BATTERY CIRCUIT, OTHER MINOR IMPROVEMENTS	VAN	8/6/01	KIS	8/3/01
C	E11643	ADD NOTES TO PORT B AND C SIGNALS FOR ALT. NAMES.	VAN	9/5/01	KIS	9/7/01
D	E11931	6 LAYER PCB, CORRECT NOTES, ADD R87 & R166-167, 750ma DRIVERS ON OUT 8-9	VAN	6/6/02	KIS	6/5/02
E	E12132	STUFFING CHART IMPROVED & REMOVED 2040 REFERENCE.	VAN	11/13/02	KIS	11/13/02
F	E12403	IMPROVE ETHERNET JACK CIRC. REMOVE CAPS, BETTER CONNECTOR.	XT	9/18/03	KF	9/17/03
G	000647	CHANGED C29, J5 AND JP1 TO SMT COMPONENTS	TCP	10/27/06		

TABLE A

REF DES	DEVICE	DEVICE VOLTAGE INFORMATION							DEVICE: FILTER CAP REF DES(S)
		AGND	GND	VCC	VDRAM	+V	VOSC	VBAT	
U13	RTL8019AS		14,28,44,52,83,86	6,17,70,89					C19, C69, C73, C74
U5	RABBIT 2000		2,27,39,52,77,89	3,28,53,78,92			42		C18, C66, C70, C71, C72, C84
U3	LM660	11				4			C14
U2	AD5320	2				3			C75
U7	AD5320	2				3			C53
U9	TLC2543	10				20			C61
U1	SP232		15	16					C82
U8	RS485		5	8					C54
U11	FLASH		24	8					
U4	ETC811L		2	4					C24
U6	SRAM 512K X 8		15		32				C32
U6	SRAM 128K X 8		14		28				
U14	74AC1GU04		3				5		

NOTES: UNLESS OTHERWISE SPECIFIED;  
 1. ALL RESISTOR VALUES ARE IN OHMS, 1/16W, 5%  
 2. ALL CAPACITORS ARE 50VDC OR HIGHER.  
 3. THE ORIGINATION SOURCE OF A VOLTAGE IS REPRESENTED BY (VCC), AND ALL REFERENCES TO THAT VOLTAGE ARE REPRESENTED BY (VCC).

4. OUTLINED CIRCUIT MAY NOT BE STUFFED DEPENDING ON MODEL, SEE STUFFING CHART FOR CLARIFICATION.
5. COMPONENTS OR COMPONENT VALUES SHOWN WITH AN ASTERISK (\*) FOLLOWING THE VALUE, MAY HAVE DIFFERENT VALUES, OR MAY NOT BE STUFFED DEPENDING ON MODEL. SEE STUFFING CHART FOR CLARIFICATION.

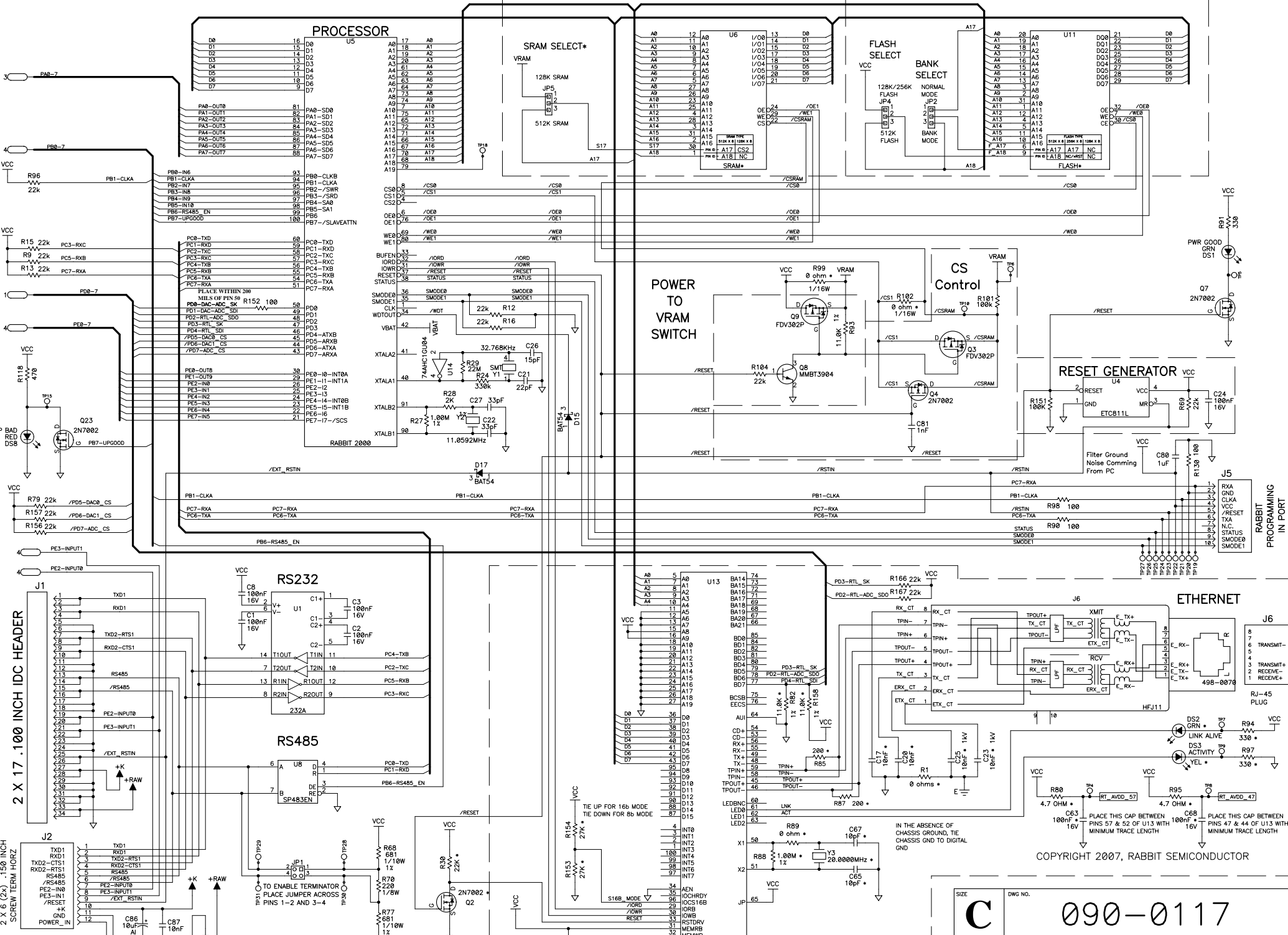


COPYRIGHT 2007, RABBIT SEMICONDUCTOR

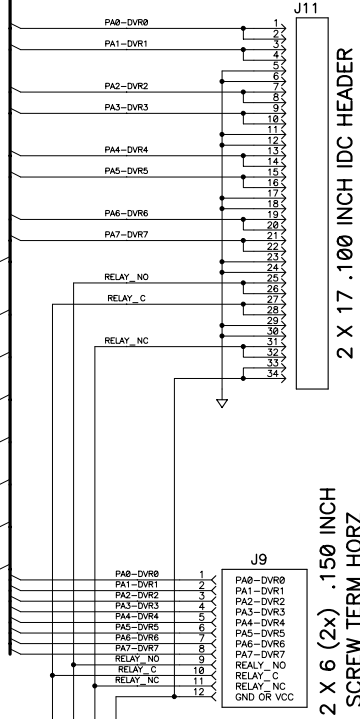
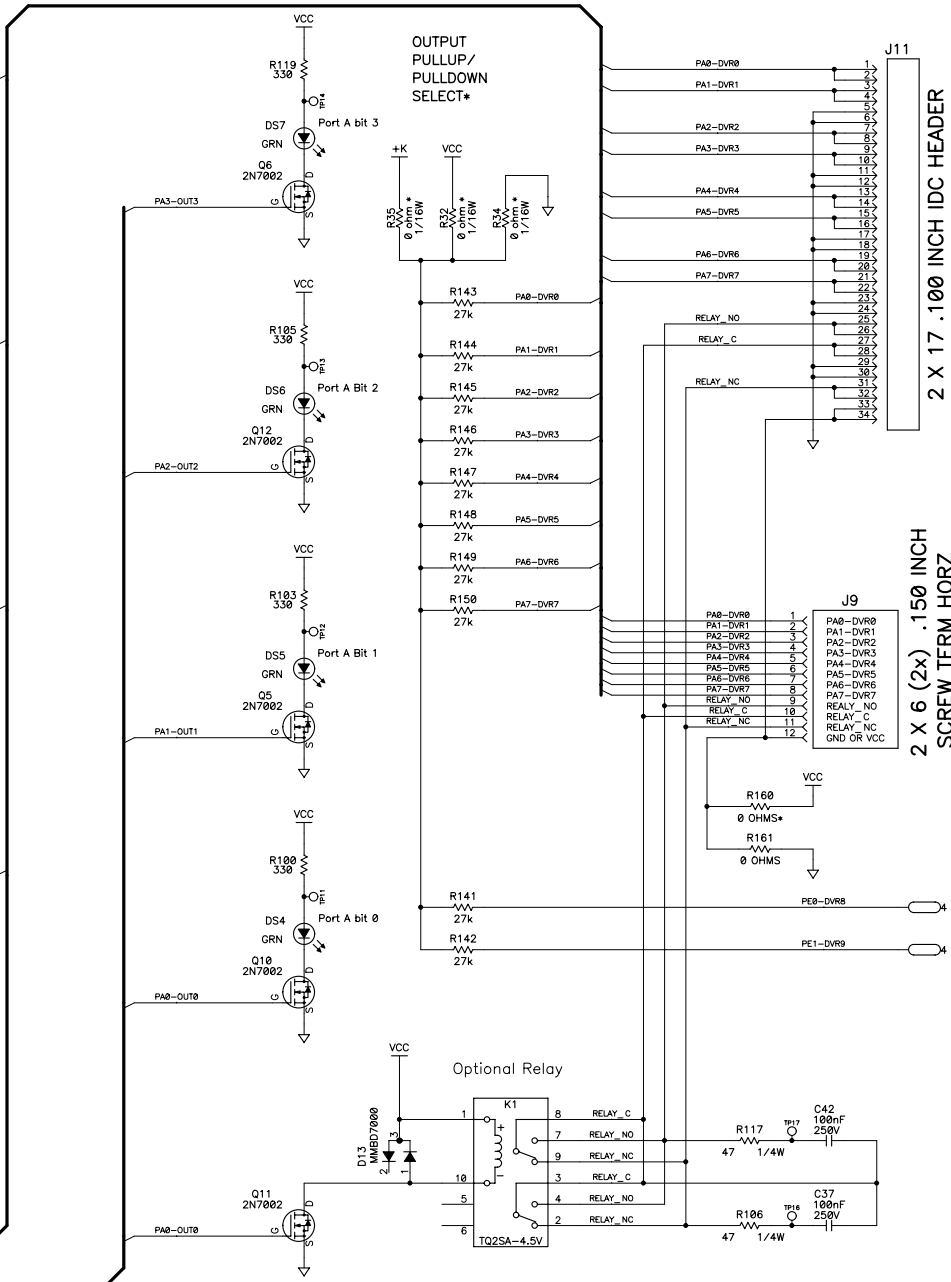
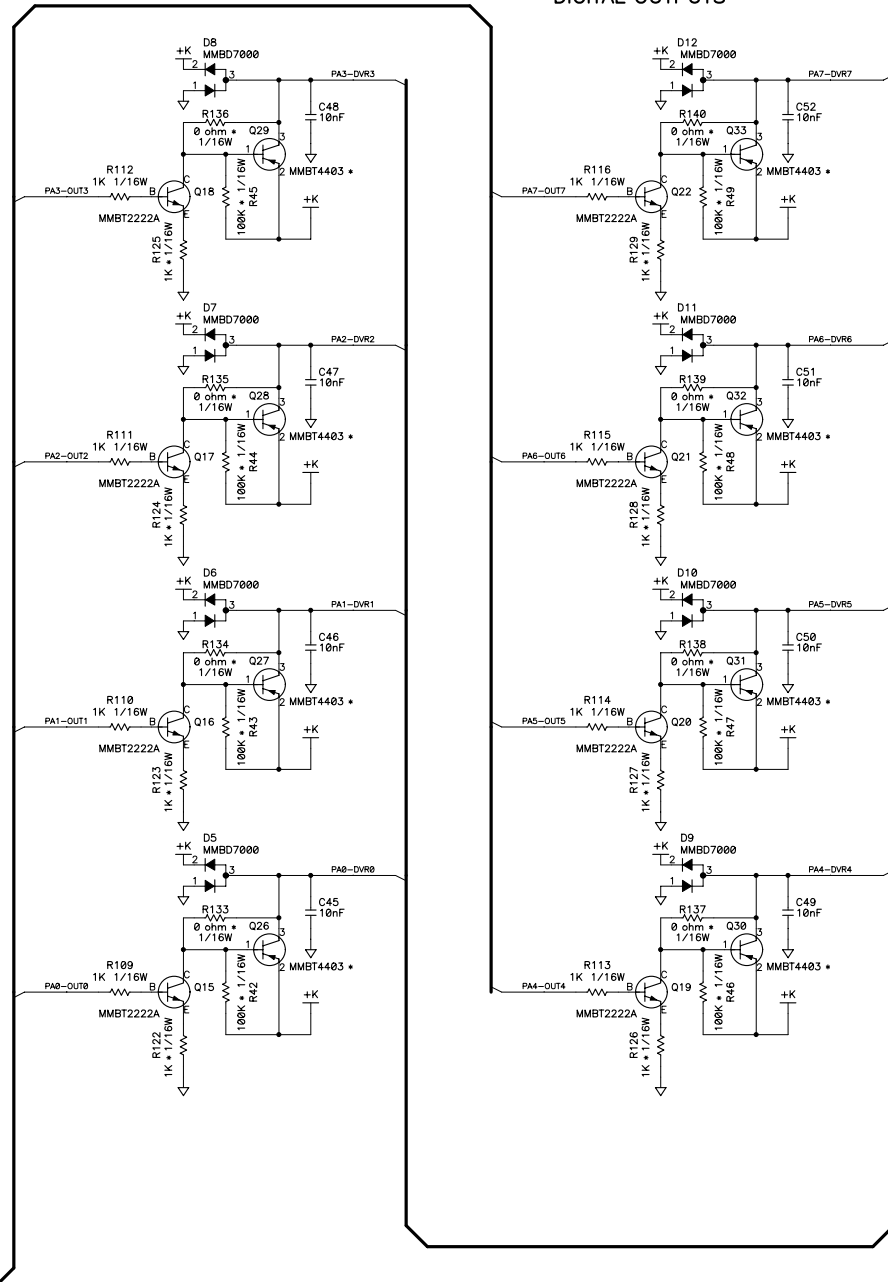
APPEND THE FOLLOWING DOCUMENTS WHEN CHANGING THIS DOCUMENT:		DRAWING CONTENT:		TITLE	
		DRAWN BY: (INITIAL RELEASE)	4/26/01	SCHEMATIC DIAGRAM BL2000 SERIES WILDCAT	
		REVISED BY: J. NAUER	8/7/07		
APPROVALS: INITIAL RELEASE				 www.rabbit.com	
PROJECT ENGINEER:		5/13/01			
ENGINEERING MANAGER:		5/14/01			
SIGNATURES		DATE			
		SCALE: NONE		RELEASE DATE: 8/7/07	
		SHEET 1 OF 5		DWG NO. 090-0117	

SRAM\*  
U6: OPTIONAL 512K, 256K, OR 128K SRAM

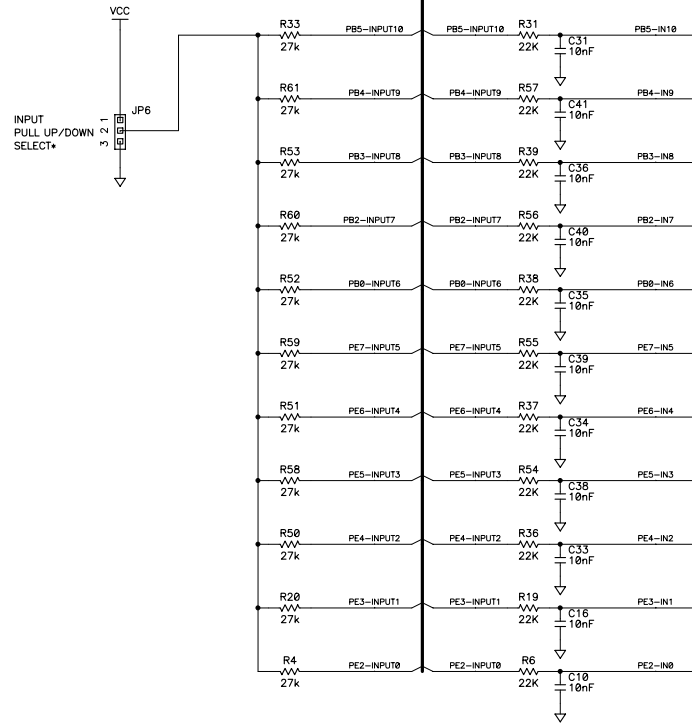
FLASH\*  
U11: OPTIONAL 512K, 256K, OR 128K FLASH



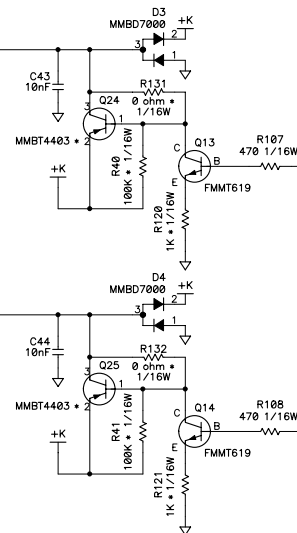
DIGITAL OUTPUTS



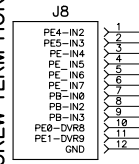
### DIGITAL INPUTS



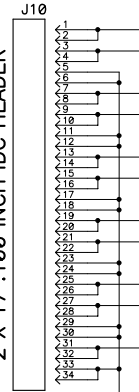
### DIGITAL OUTPUTS



2 X 6 (2x) .150 INCH  
SCREW TERM HORZ



2 X 17 .100 INCH IDC HEADER



STUFFING TABLE

	CIRCUIT	PART	OPTION INSTALLED	OPTION NOT INSTALLED
UNINSTALLED COMPONENTS	ADC INPUTS	R5		NOT INSTALLED
	AIN_9 & AIN_10	R78		NOT INSTALLED
	CS CONTROL	R99		NOT INSTALLED
		R102		NOT INSTALLED
	ETHER-NET	R154		NOT INSTALLED
	RT8019 SDI PU	R158		NOT INSTALLED
	Source Vcc	R160		NOT INSTALLED
	Battery	R26		NOT INSTALLED
	Ext Interrupt	R155		NOT INSTALLED
	ETHER-NET	R87		NOT INSTALLED
SRAM	SRAM DENSITY	U6	128K SRAM	256K/512K SRAM
	SRAM SELECT	JP5	ZERO ohm ACROSS PINS 1-2	ZERO ohm ACROSS PINS 2-3
FLASH	FLASH DENSITY	U11	128K/256K FLASH	512K FLASH
	FLASH SELECT	JP4	ZERO ohm ACROSS PINS 1-2	ZERO ohm ACROSS PINS 2-3
FLASH BANK SELECT	FLASH DENSITY	U11	256K SRAM	128K/512K SRAM
	BANK SELECT	JP2	DISABLED ZERO ohm ACROSS PINS 1-2 ENABLED ZERO ohm ACROSS PINS 2-3	DISABLED ZERO ohm ACROSS PINS 1-2
DACs	DAC_0	U7	AD5320	NOT INSTALLED
		C53	INSTALLED	NOT INSTALLED
	DAC_1	U2	AD5320	NOT INSTALLED
		C75	INSTALLED	NOT INSTALLED
DAC POWER	JP3	4.096V ZERO ohm ACROSS PINS 2-3	5.0V ZERO ohm ACROSS PINS 1-2	
4.096V REF	U10	LM4040BIM3-4.1	NOT INSTALLED	
ADC	10 BIT ADC	U9	TLC1543	NOT INSTALLED
	12 BIT ADC	U9	TLC2543	NOT INSTALLED
ETHERNET	ETHERNET	U13	RTL8019AS	NOT INSTALLED
		Q2	2N7002	NOT INSTALLED
		J6	RJ45	NOT INSTALLED
		Y3	20MHz XTAL	NOT INSTALLED
		R30	22K	NOT INSTALLED
		R82	11K	NOT INSTALLED
		R88	1.00M	NOT INSTALLED
		R89	ZERO ohm	NOT INSTALLED
		R85	200 ohms	NOT INSTALLED
		R94	330 ohms	NOT INSTALLED
		R97	330 ohms	NOT INSTALLED
		R80	4.7 ohms	NOT INSTALLED
		R95	4.7 ohms	NOT INSTALLED
		R153	27K	NOT INSTALLED
		C67	10pf	NOT INSTALLED
		C65	10pf	NOT INSTALLED
		C17	10nf	NOT INSTALLED
		C20	10nf	NOT INSTALLED
		C25	NOT INSTALLED	NOT INSTALLED
		C23	NOT INSTALLED	NOT INSTALLED
		C63	100nf	NOT INSTALLED
		C68	100nf	NOT INSTALLED
		DS2	GRN LED	NOT INSTALLED
		DS3	ORG LED	NOT INSTALLED

STUFFING TABLE

	CIRCUIT	PART	OPTION INSTALLED	OPTION NOT INSTALLED	
RELAY	RELAY	K1	TQ2SA-4.5V	NOT INSTALLED	
	RELAY SUPPORT	Q11	2N7002	NOT INSTALLED	
		D13	MMBD7000	NOT INSTALLED	
		R117	47 ohms 1/4W	NOT INSTALLED	
		R106	47 ohms 1/4W	NOT INSTALLED	
		C42	100nf 250V	NOT INSTALLED	
		C37	100nf 250V	NOT INSTALLED	
		R35	ZERO ohm		
	OUTPUT PULL-UP/DOWN	OUTPUTS PULLED UP TO +K	R32		NOT INSTALLED
			R34		NOT INSTALLED
			R35		NOT INSTALLED
		OUTPUTS PULLED UP TO +5V	R32	ZERO ohm	
			R34		NOT INSTALLED
		OUTPUTS PULLED DOWN TO GROUND	R34		NOT INSTALLED
			R32		NOT INSTALLED
		R34	ZERO ohm		
		OUTPUT DRIVERS 0-9	DRIVER 0		CURRENT SINK
Q26				NOT INSTALLED	MMBT4403
R122	ZERO ohm			1K	
R133	ZERO ohm			NOT INSTALLED	
R42	NOT INSTALLED		100K		
DRIVER 1	Q27		NOT INSTALLED	MMBT4403	
	R123		ZERO ohm	1K	
	R134		ZERO ohm	NOT INSTALLED	
	R43		NOT INSTALLED	100K	
DRIVER 2	Q28		NOT INSTALLED	MMBT4403	
	R124		ZERO ohm	1K	
	R135		ZERO ohm	NOT INSTALLED	
	R44		NOT INSTALLED	100K	
DRIVER 3	Q29		NOT INSTALLED	MMBT4403	
	R125		ZERO ohm	1K	
	R136		ZERO ohm	NOT INSTALLED	
	R45		NOT INSTALLED	100K	
DRIVER 4	Q30		NOT INSTALLED	MMBT4403	
	R126		ZERO ohm	1K	
	R137		ZERO ohm	NOT INSTALLED	
	R46		NOT INSTALLED	100K	
DRIVER 5	Q31		NOT INSTALLED	MMBT4403	
	R127		ZERO ohm	1K	
	R138		ZERO ohm	NOT INSTALLED	
	R47		NOT INSTALLED	100K	
DRIVER 6	Q32		NOT INSTALLED	MMBT4403	
	R128		ZERO ohm	1K	
	R139		ZERO ohm	NOT INSTALLED	
	R48		NOT INSTALLED	100K	
DRIVER 7	Q33		NOT INSTALLED	MMBT4403	
	R129		ZERO ohm	1K	
	R140		ZERO ohm	NOT INSTALLED	
	R49	NOT INSTALLED	100K		
DRIVER 8	Q24	NOT INSTALLED	MMBT4403		
	R120	ZERO ohm	1K		
	R131	ZERO ohm	NOT INSTALLED		
	R40	NOT INSTALLED	100K		
DRIVER 9	Q25	NOT INSTALLED	MMBT4403		
	R121	ZERO ohm	1K		
	R132	ZERO ohm	NOT INSTALLED		
	R41	NOT INSTALLED	100K		
INPUT PULL-UP/DOWN	INPUTS PULLED UP TO +5V	JP6	ZERO ohm ACROSS PINS 1-2		
	INPUTS PULLED DOWN TO GROUND	JP6	ZERO ohm ACROSS PINS 2-3		

BL20XX OPTION TABLE

CIRCUIT OPTION	BL2000	BL2010	BL2020	BL2030
FLASH DENSITY	256K	256K	256K	256K
FLASH BANK SELECT	DISABLED	DISABLED	DISABLED	DISABLED
SRAM DENSITY	128K	128K	128K	128K
DAC_0	INSTALLED	NOT INSTALLED	INSTALLED	NOT INSTALLED
DAC_1	INSTALLED	NOT INSTALLED	INSTALLED	NOT INSTALLED
DAC POWER	4.096V	4.096V	4.096V	4.096V
4.096V REF	INSTALLED	NOT INSTALLED	INSTALLED	NOT INSTALLED
10 BIT ADC	NOT INSTALLED	INSTALLED	NOT INSTALLED	INSTALLED
12 BIT ADC	INSTALLED	NOT INSTALLED	INSTALLED	NOT INSTALLED
ETHER-NET	INSTALLED	INSTALLED	NOT INSTALLED	NOT INSTALLED
OUTPUT CURRENT 0	SINKING	SINKING	SINKING	SINKING
OUTPUT CURRENT 1	SINKING	SINKING	SINKING	SINKING
OUTPUT CURRENT 2	SINKING	SINKING	SINKING	SINKING
OUTPUT CURRENT 3	SINKING	SINKING	SINKING	SINKING
OUTPUT CURRENT 4	SINKING	SINKING	SINKING	SINKING
OUTPUT CURRENT 5	SINKING	SINKING	SINKING	SINKING
OUTPUT CURRENT 6	SINKING	SINKING	SINKING	SINKING
OUTPUT CURRENT 7	SINKING	SINKING	SINKING	SINKING
OUTPUT CURRENT 8	SINKING	SINKING	SINKING	SINKING
OUTPUT CURRENT 9	SINKING	SINKING	SINKING	SINKING
OUTPUT PULL UP/DOWN	PULLED TO +5V	PULLED TO +5V	PULLED TO +5V	PULLED TO +5V
INPUT PULL UP/DOWN	PULLED TO +5V	PULLED TO +5V	PULLED TO +5V	PULLED TO +5V