

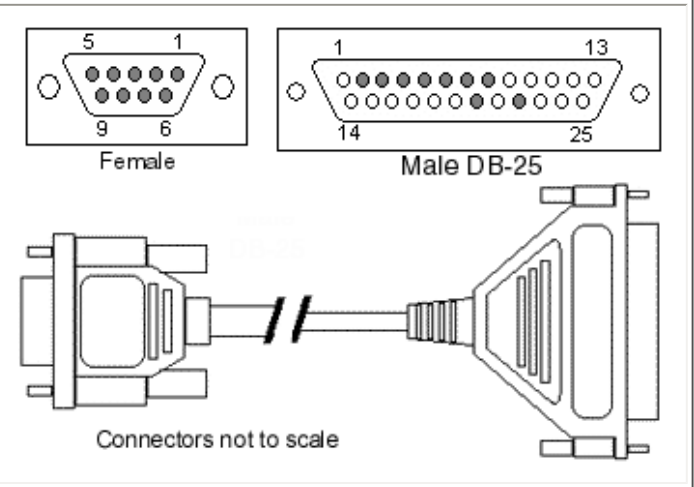
Modem Cables

Terminal/Printer Cables, DB-9 to DB-25

The wiring diagram for a DB-9 to DB-25 terminal/printer cable is shown in Table 1.

Table 1: EIA-232 DB-9 to DB-25 terminal/printer cable

DB-9	Signal	Direction	Signal	To DB-25
2	RxD	←	TxD	2
3	TxD	→	RxD	3
4	DTR	↔	DSR	6
			DCD	8
5	SG	↔	SG	7
6	DSR	↔	RTS	4
1	DCD			
7	RTS	→	CTS	5
8	CTS	←	DTR	20
Shell	GND	↔	GND	Shell



* Arrows indicate which direction the signal is flowing

NOTES:

- Altpin should be turned off when using this cable.
- This cable utilizes the DTR signal of the terminal/printer for hardware flow control (RTS/CTS).