

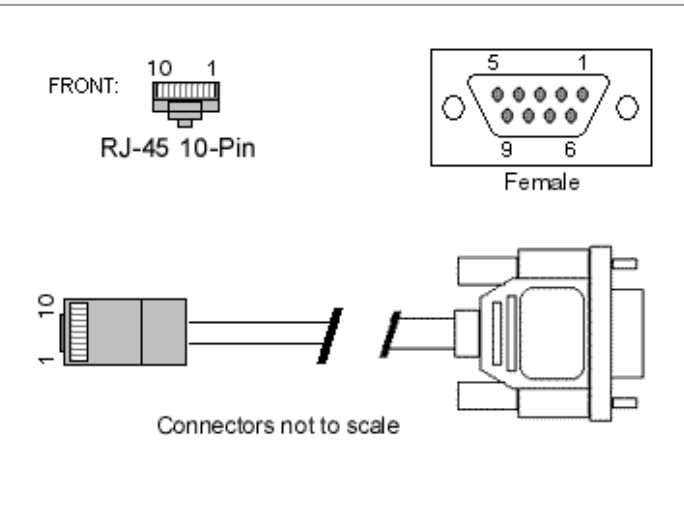
Cables

EIA-232 PC Terminal Emulator Cables, RJ-45 10-pin to DB-9

The wiring diagram for an RJ-45 10-pin to DB-9 PC terminal emulator cable is shown in Table 1.

Table 1: EIA-232 RJ-45 10-pin to DB-9 PC terminal emulator cable

From RJ-45	Signal	Direction	Signal	To DB-9
10	DCD	↔	DTR	4
2	DSR			
6	RxD	←	TxD	3
5	TxD	→	RxD	2
9	DTR	↔	DSR	6
			DCD	1
7	SG	↔	SG	5
3	RTS	→	CTS	8
8	CTS	←	RTS	7
4	GND	↔	GND	Shell



* Arrows indicate which direction the signal is flowing

NOTES:

- Altpin should be turned off when using this cable.
- This cable utilizes the RTS signal of the PC terminal emulator for hardware flow control (RTS/CTS).