

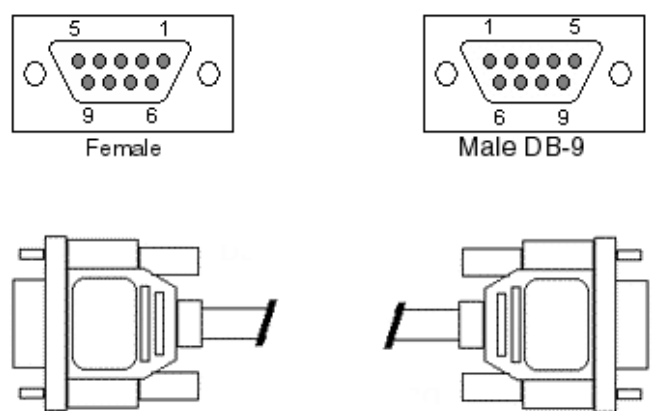
## Modem Cables

# EIA-232 Modem Cables DB-9 to DB-9

The wiring diagram for a DB-9 to DB-9 modem cable is shown in Table 1.

Table 1: EIA-232 DB-9 to DB-9 modem cable

DB-9	Signal	Direction	Signal	To DB-9
1	DCD	←	DCD	1
2	RxD	←	RxD	2
3	TxD	→	TxD	3
4	DTR	→	DTR	4
5	SG	↔	SG	5
6	DSR	←	DSR	6
7	RTS	→	RTS	7
8	CTS	←	CTS	8
9	RI	←	RI	9
Shell	GND	↔	GND	Shell



Connectors not to scale

\* Arrows indicate which direction the signal is flowing

### NOTES:

- Altpin should be turned off when using this cable.
- This cable utilizes the CTS signal of the modem for hardware flow control (RTS/CTS).