

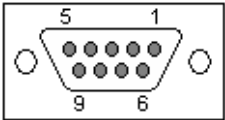
Cables

EIA-232 PC Terminal Emulator Cables, DB-9 to DB-9

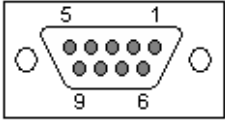
The wiring diagram for a DB-9 to DB-9 PC terminal emulator cable is shown in Table 1.

Table 1: EIA-232 DB-9 to DB-9 PC terminal emulator cable

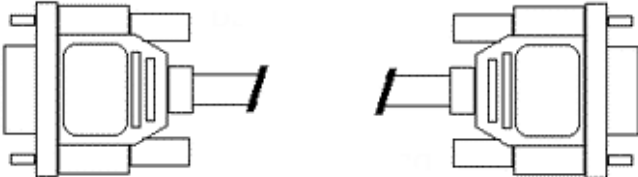
DB-9	Signal	Direction	Signal	To DB-9
2	RxD	←	TxD	3
3	TxD	→	RxD	2
4	DTR	↗ ↘	DSR	6
			DCD	1
5	SG	↔	SG	5
6	DSR	↗ ↘	DTR	4
1	DCD			
7	RTS	→	CTS	8
8	CTS	←	RTS	7
Shell	GND	↔	GND	Shell



Female DB-9



Female DB-9



Connectors not to scale

* Arrows indicate which direction the signal is flowing

NOTES:

- Altpin should be turned off when using this cable.
- This cable utilizes the RTS signal of the PC terminal emulator for hardware flow control (RTS/CTS).