

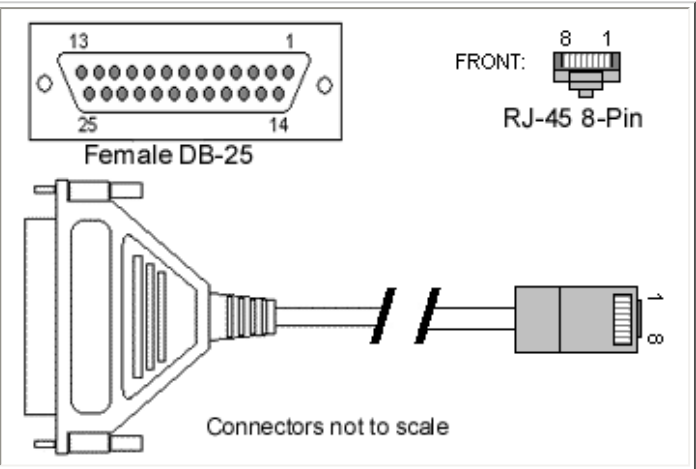
# Adapter Cables

## Digi EIA-232 - Cisco Console Adapter, DB-25 to RJ-45

The wiring diagram for a DB-25 to Cisco Console RJ-45 8-pin adapter cable is shown in Table 1.

**Table 1: EIA-232 DB-25 to RJ-45**

From DB-25	Signal	Direction	Signal	To RJ-45
8	DCD	←	DTR	2
3	RxD	←	TxD	3
2	TxD	→	RxD	6
20	DTR	→	DSR	7
7	SG	↔	SG	5
4	RTS	→	CTS	8
5	CTS	←	RTS	1
1	GND	↔	GND	4



- Arrows indicate which direction the signal is flowing

**NOTES:**

- Works for most current cisco routers.
- Altpin should be turned off when using this cable.