

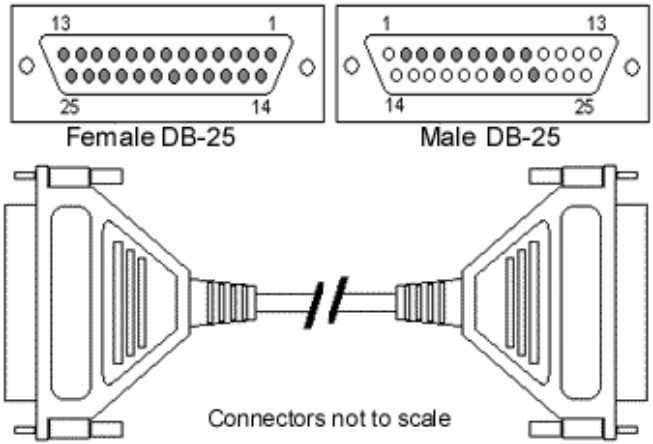
Modem Cables

Terminal/Printer Cables, DB-25 to DB-25

The wiring diagram for a DB-25 to DB-25 terminal/printer cable is shown in Table 1.

Table 1: EIA-232 DB-25 to DB-25 terminal/printer cable

From DB-25	Signal	Direction	Signal	To DB-25
6	DSR	↕	RTS	4
8	DCD			
3	RxD	←	TxD	2
2	TxD	→	RxD	3
20	DTR	↕	DSR	6
			DCD	8
7	SG	↔	SG	7
4	RTS	→	CTS	5
5	CTS	←	DTR	20
Shell	GND	↔	GND	Shell



* Arrows indicate which direction the signal is flowing

NOTES:

- Altpin should be turned off when using this cable.
- This cable utilizes the DTR signal of the terminal/printer for hardware flow control (RTS/CTS).
- Okidata printers may use SSD (pin 11) instead of DTR (pin 20) on Term/Prn DB25 side of above diagram. If this is the case, the printer should be set to SSD+.