



Quick Start Guide

Digi One® SP



90000266-88 K

Welcome to your Digi product

Get started: This guide helps you with initial product setup. Need more? Find additional supporting material for this product at www.digi.com/support/digionesp. Or connect to the online documentation by scanning this code:



Digi Technical Support: Digi offers multiple support plans to help you get the most out of your product. For information on Technical Support plans and pricing, contact us at 877.912.3444 or visit www.digi.com/support.

Documentation feedback: To provide feedback on this documentation, send your comments to techcomm@digi.com.

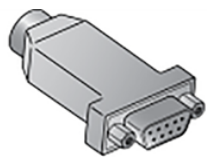
1 Verify your components

Verify that you have all included equipment. If any item is missing or damaged, contact your supplier.

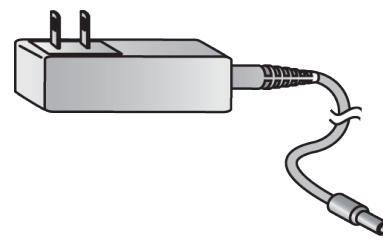
Included equipment



Digi One SP



Diagnostic loopback plug



Power supply
(some models may have a DC power cord or have no power supply)

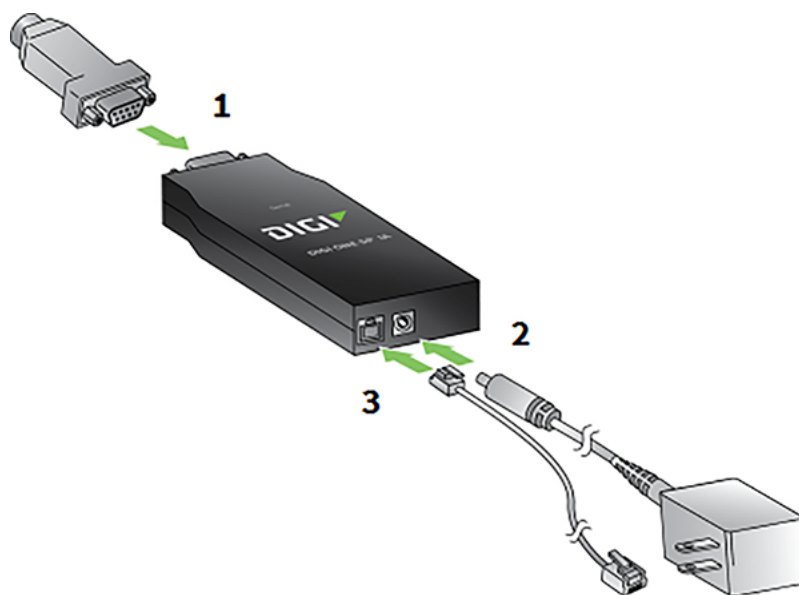


Power supply adapters
(non U.S. models only)

Note A loose label sticker that includes the unique device password is included in the box. Retain this label sticker with your hardware records. This default password will be needed if the device is factory reset.

2 Connect the hardware

1. Connect the serial cable.
2. Connect the power supply.
3. Connect the Ethernet cable.



Note Once power is connected, the lights blink while the system boots up and the red power light blinks until the IP address is assigned.

3 Download the required documentation and software

Documentation and software for this product is online.

1. Navigate to www.digi.com/support/digionesp.
2. Click the **Product Support** tab, then click the *Digi One Family and PortServer TS Family User Guide* link to open the user guide for this product.

3. Digi provides several utilities that discover and configure devices on a network. Download the appropriate utility to get started.
 - a. Click the **Utilities** tab.
 - b. Select your operating system. A list of available utilities for your operating system appears.
 - c. Download and run either the **Device Discovery Utility** or **Digi Port Authority - Remote**.
4. If the serial ports for your product will be managed using Digi's RealPort software, download the driver.
 - a. Click the **Drivers** tab.
 - b. Select your operating system. A list of available downloads and release notes for your operating system appears.
 - c. Download the RealPort driver and the release notes.




Note For Microsoft Windows operating systems, unzip the download package and run the executable. For Linux or UNIX operating systems, follow the instructions in the release notes.

4 Configure the serial ports

1. Run the **Digi Discovery Utility** or **Digi Port Authority - Remote** to discover devices on your network.
2. Configure the IP address, if necessary.
3. Open the web interface. In the Digi Device Discovery Utility, click **Open web interface**. In Digi Port Authority - Remote, click **Device Configuration**. A login prompt appears.
4. Enter the default user name (**root**) and the unique default password found on the device label. If a password is not printed on the label, the default password is **dbps**. If the user name and password does not work, they may have been updated. Contact your system administrator.
5. In the web interface, click **Configuration > Serial Ports**.
6. Configure serial port settings using port profiles. Port profiles are a defined set of serial port parameters for a particular use. The web interface and the [Digi One Family and PortServer TS Family User Guide](#) contain descriptions of the port profiles. For Digi One SP products, Digi recommends the **RealPort** profile. For help in configuring the device for use with other port profiles, see the user guide. To configure ports to use the RealPort profile:
 - a. On the **Serial Port Configuration** page, click the port to be configured.
 - b. Click **Change Profile**.
 - c. In the list of profiles, select the **RealPort** profile.
 - d. Click **Apply**.
7. The serial ports for the Digi One SP product are set to EIA-232 by default. For EIA-422/485, configure the DIP switches as shown in section 5.

5 Configure DIP switches

The Digi One SP has a set of DIP switches on the underside of the device for setting the EIA mode for serial communications. Set these DIP switches according to your serial device requirements (EIA-232/422/485). See the table for the device server pinouts.

Digi One SP 1-4 port DIP switch settings:	
Switch settings	<div style="display: flex; justify-content: space-around; text-align: center;"> <div style="width: 30%;"> <p>EIA-232</p>  </div> <div style="width: 30%;"> <p>EIA-422/485 Full-Duplex</p>  </div> <div style="width: 30%;"> <p>EIA-485 Half-Duplex</p>  </div> </div>
Up/On	
Down/Off	
<p>If switch 4 is up, the termination resistor is connected. If switch 4 is down, the termination resistor is not connected.</p>	

DB-9 pin	EIA-232	EIA-422/485 Full-duplex	EIA-485 Half-duplex
1	DCD	CTS-	Not used
2	RxD	RxD+	RxD+
3	TxD	TxD+	TxD+
4	DTR	RTS-	Not used
5	GND	GND	GND
6	DSR	RxD-	RxD-
7	RTS	RTS+	Not used
8	CTS	CTS+	Not used
9	RI	TxD-	TxD-
Shell	GND		

Note If switch 4 is up, the termination resistor is connected. If the switch is down, the termination resistor is not connected.

Your Digi One SP product is now configured for basic serial port connectivity. For information on other configuration options and additional product information, see the [Digi One Family and PortServer TS Family User Guide](#).

6 Next steps

Digi Technical Support: Digi offers multiple technical support plans and service packages to help our customers get the most out of their Digi product. For information on Technical Support plans and pricing, contact us at +1 952.912.3444 or visit us at www.digi.com/support.

Documentation feedback: To provide feedback on this document, send your comments to techcomm@digi.com.