

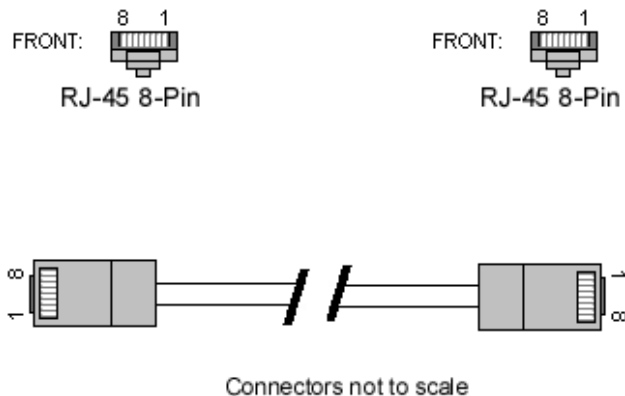
## Digi RJ45 8-pin to Digi RJ45 8-pin Crossover

# Digi RJ-45 8-pin to Digi RJ-45 8-pin Crossover Cable

## For Cross-Connecting Digi Asynchronous Ports Together

Table 1: Digi RJ-45 8-pin to Digi RJ-45 8-pin Crossover Cable

From RJ-45 Digi	Signal	Direction	Signal	To RJ-45 Digi
1	DSR	←	DTR	8
5	RxD	←	TxD	4
4	TxD	→	RxD	5
8	DTR	→	DSR	1
6	SG	↔	SG	6
2	RTS	→	CTS	7
7	CTS	←	RTS	2



- Arrows indicate which direction the signal is flowing