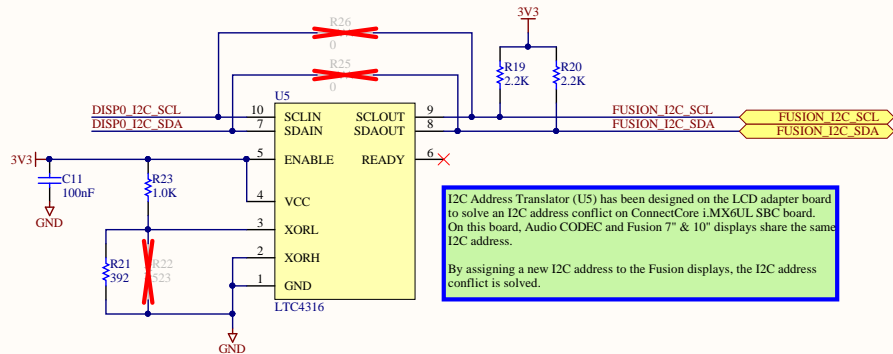
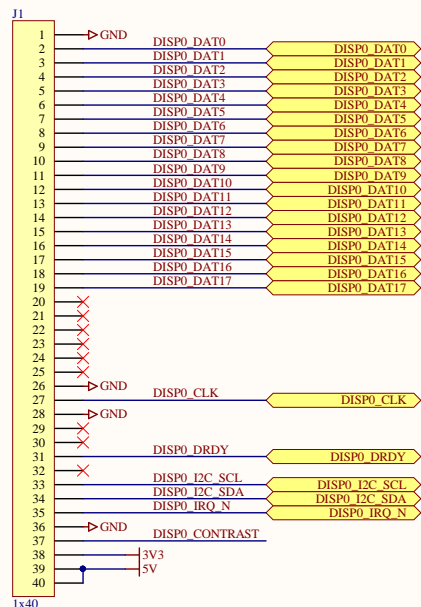


I2C Address translator

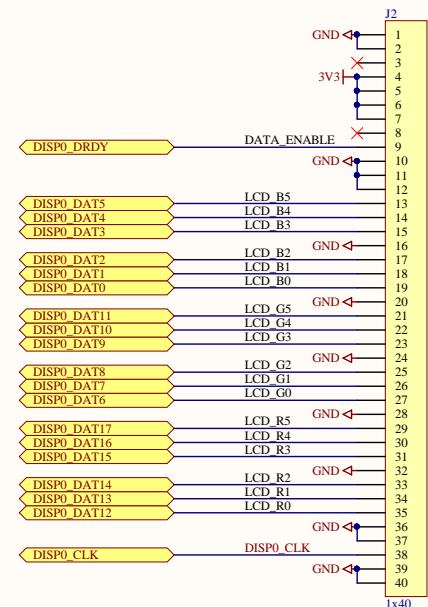
I2C Address	R21	R22
0x28	Populated	No populated
0x2A	No populated	Populated

From SBC

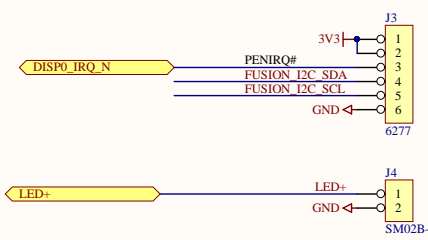
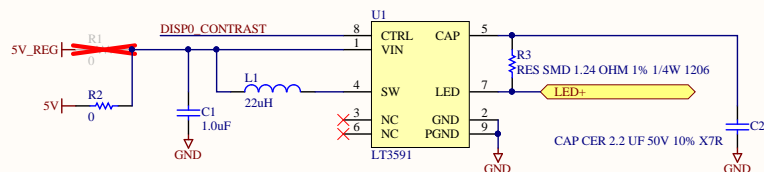


I2C Address Translator (U5) has been designed on the LCD adapter board to solve an I2C address conflict on ConnectCore i.MX6UL SBC board. On this board, Audio CODEC and Fusion 7" & 10" displays share the same I2C address. By assigning a new I2C address to the Fusion displays, the I2C address conflict is solved.

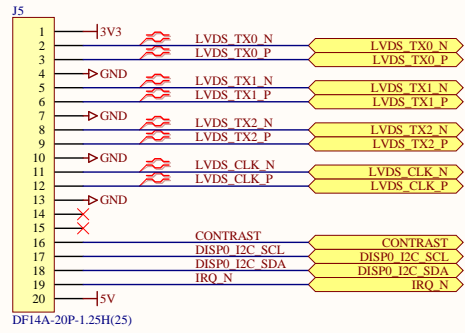
To Fusion 7 display



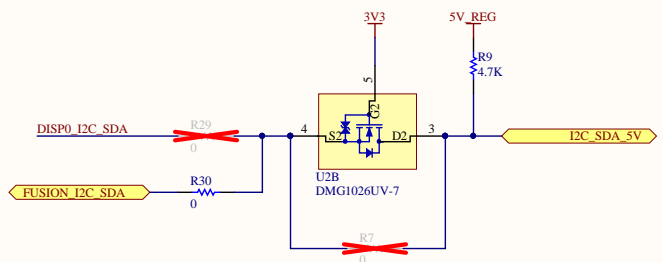
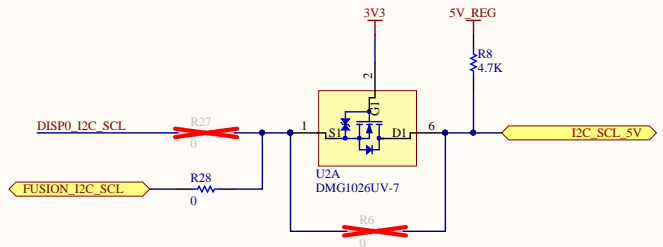
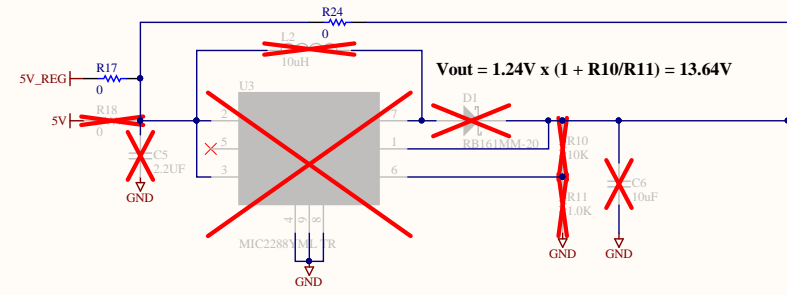
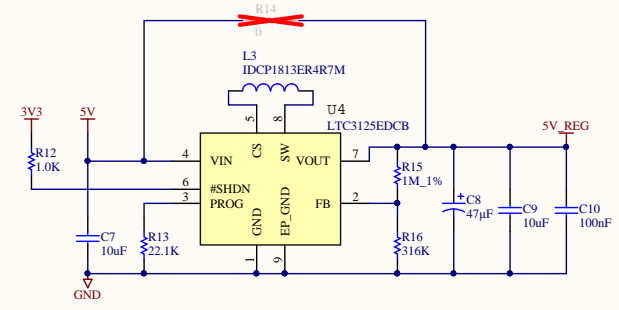
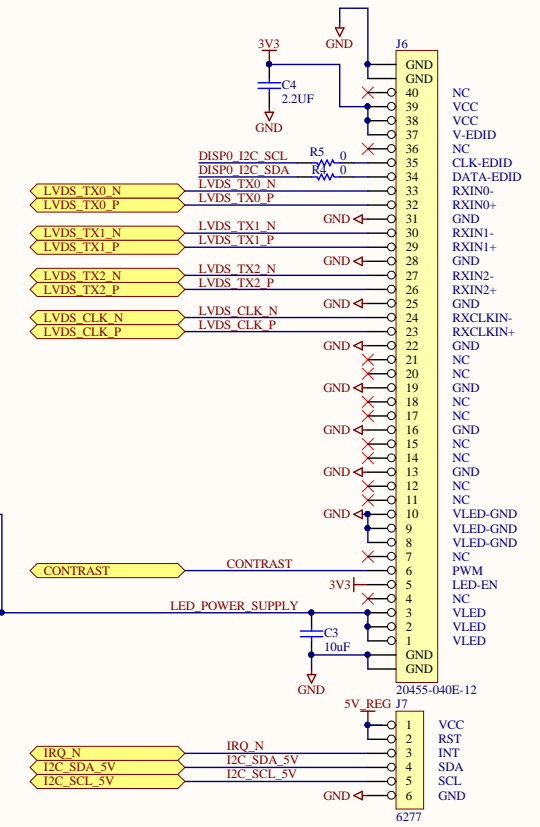
$$I_{led} = 0.2V/R3 = 161mA$$



From SBC



To Fusion 10 display



Format: DD/MM/YYYY

07/12/2016 - Fusion 7" and 10" Adapter Board
* Revision: A - NPR004862

A

A

B

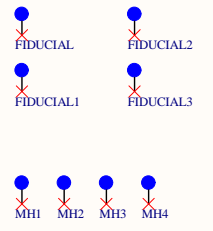
B

C

C

D

D



Title: History		
Designer: Juan Anzola	Sheet: 3 of 3	
Variant: S5001920-01	Rev: A	
Description: Fusion 7/10 Video Adapter Board for CC6UL		